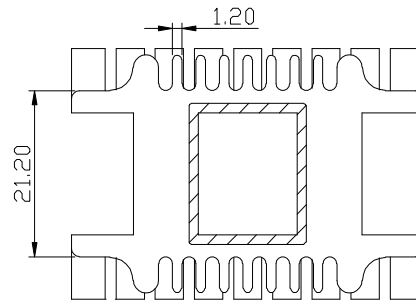
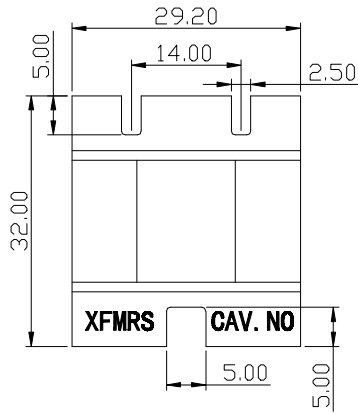
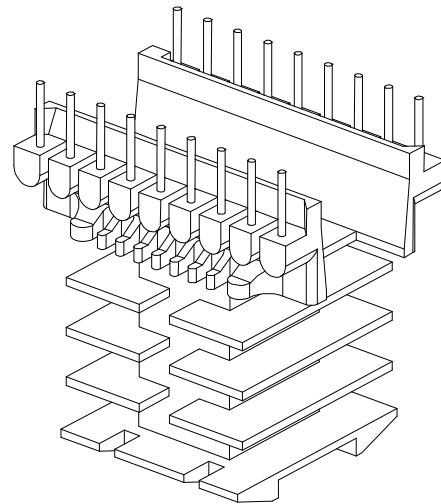
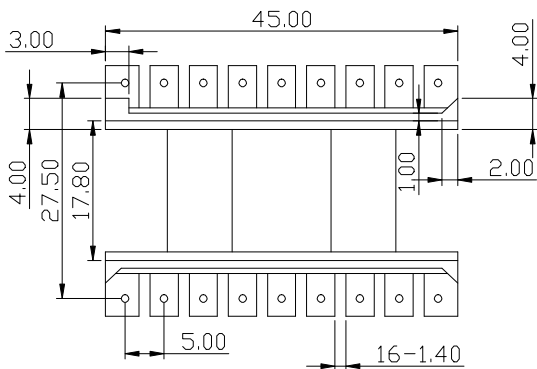
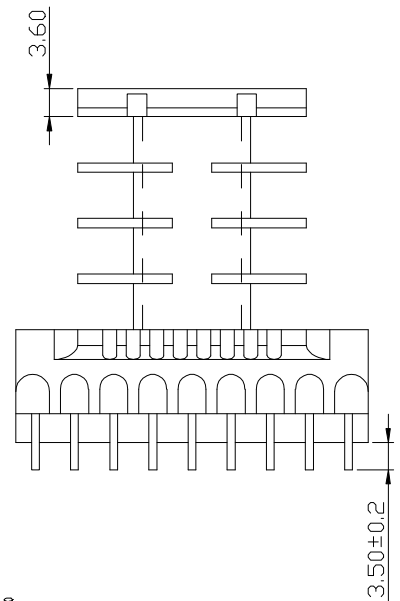
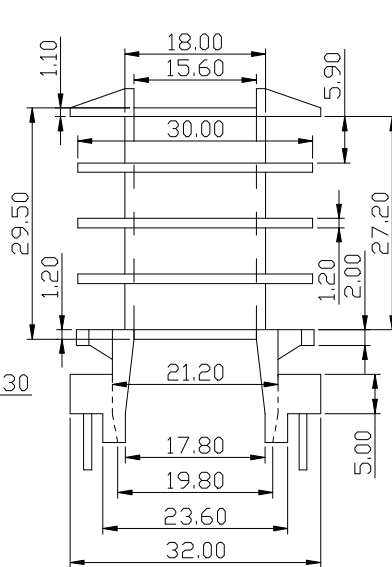
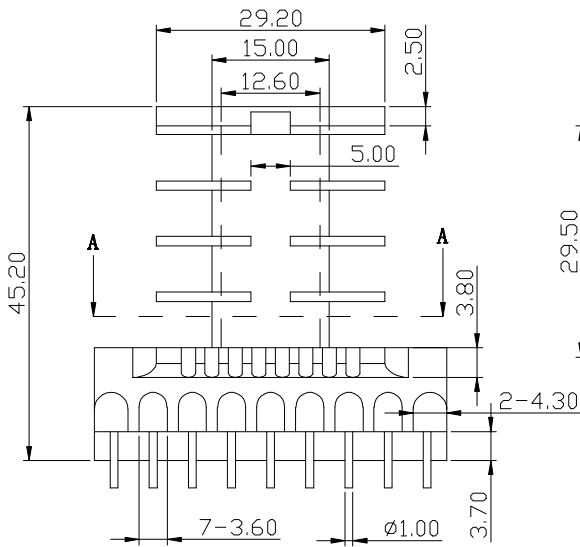


Build up your trust



SECTION A-A



TITLE: BOBBIN EE42\*15 18PIN

DRAWING NO: GS-4203

TOLERANCES

0<L≤1±0.05  
1<L≤5±0.10  
5<L≤10±0.15  
10<L≤20±0.20  
20<L≤...±0.25

PIN PITCH  
±0.2

BOBBIN MATERIAL:  
T375HF

PIN MATERIAL:  
CP WIRE

UL REC.  
UL 94V-0

PIN TENSION LOAD:  
1.5KG MIN

**GEMSTONE** 建信電子制品有限公司  
GEMSTONE ELECTRONIC PRODUCTS CO., LTD.

UNIT:  
MM

SCALE:  
1/1

ANGLE:  
±1°

DATE:  
2009/8/13

REV:  
A0

ADD: 廣東省東莞市石排鎮石崇大道  
TEL: (0769) 86514918, 86514919 FAX: 86514878

DRAWN:  
LW

CHECK:  
XU ZHAN

APPROVED:

BEFORE REV.

AFTER REV.