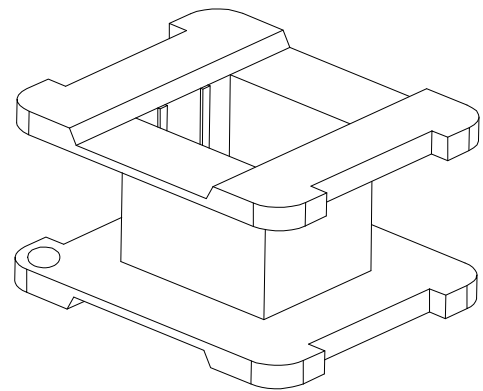
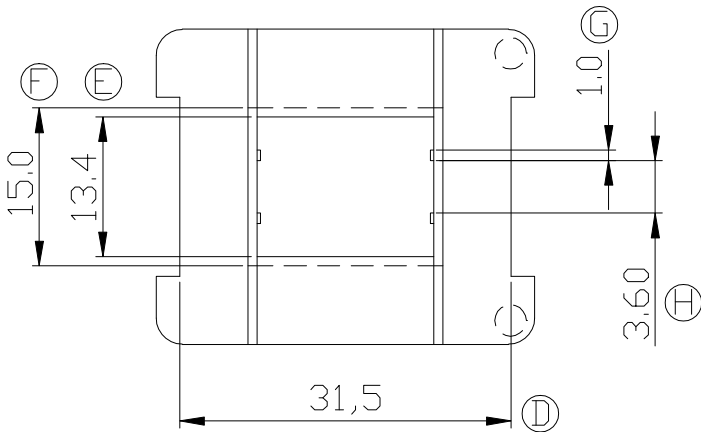
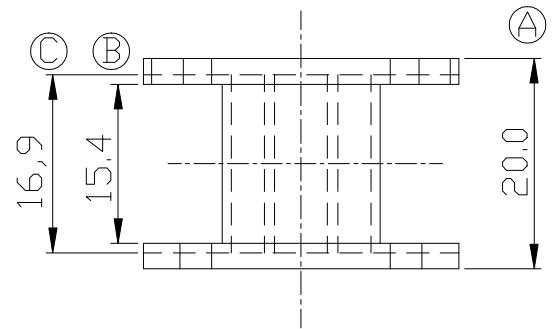
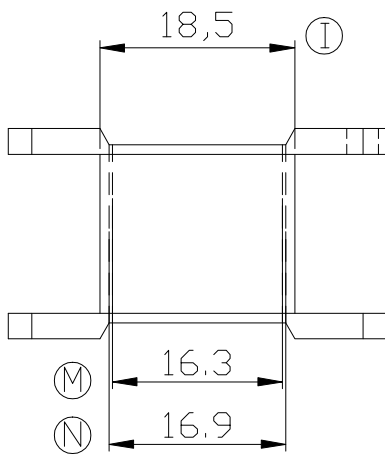
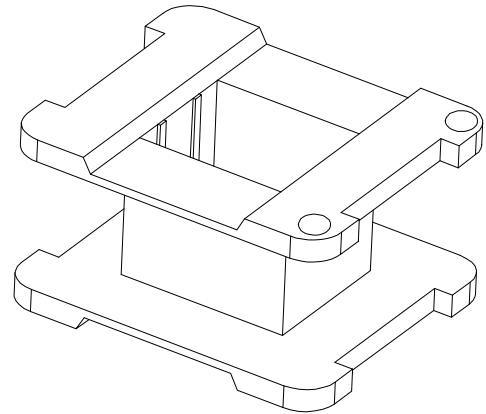
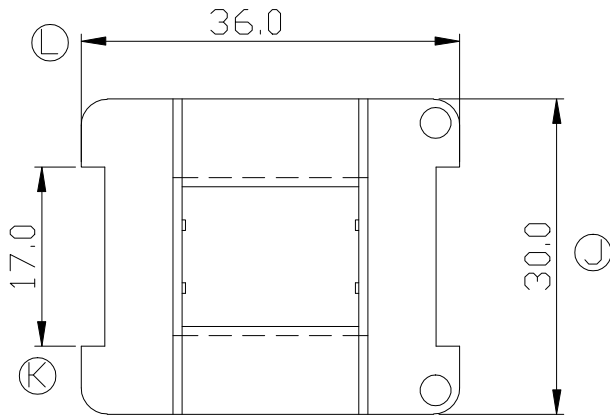



Build up your trust



TITLE:	EI-43		TOLERANCES		BOBBIN MATERIAL:		UL REC.
DRAWING NO:	GS-4301		0<L≤4 ±0.1	PIN PITCH ±0.2	PLASTIC CM3004		UL V-0
 建信電子制品有限公司 GEMSTONE ELECTRONIC PRODUCTS CO., LTD. ADD: 廣東省東莞市石排鎮石崇大道 TEL: (0769) 86514918, 86514919 FAX: 86514878			4<L≤16 ±0.2		PIN MATERIAL:		PIN TENSION LOAD:
			16<L≤63 ±0.3				
			UNIT: MM	SCALE: 1.5/1	ANGLE: ±1°	DATE: 2004/7/1	REV: A1
			DRAWN: XU ZHAN		CHECK: DAVID		APPROVED:

REV.	PORTION.	BEFORE REV.	AFTER REV.