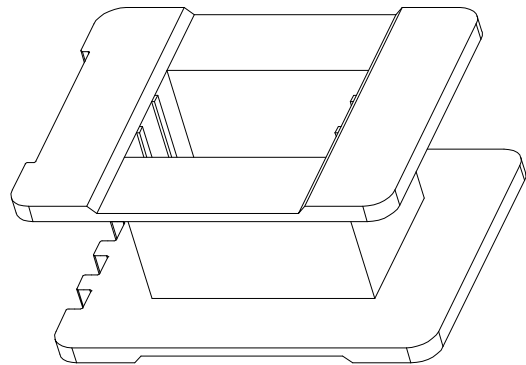
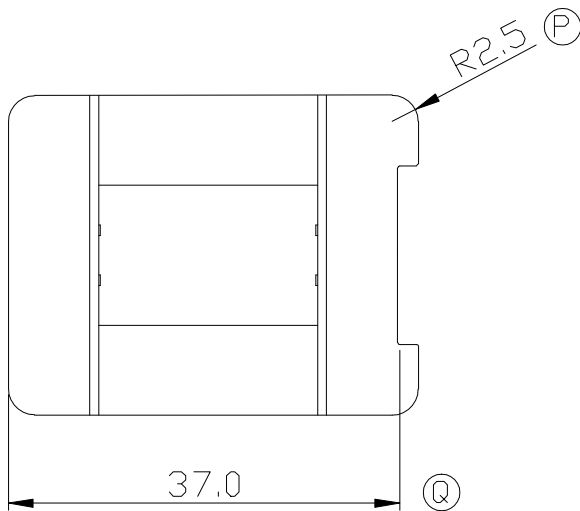
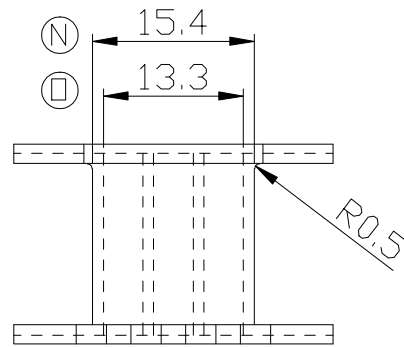
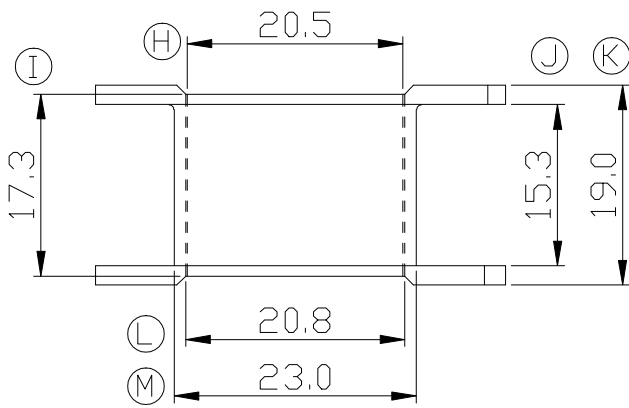
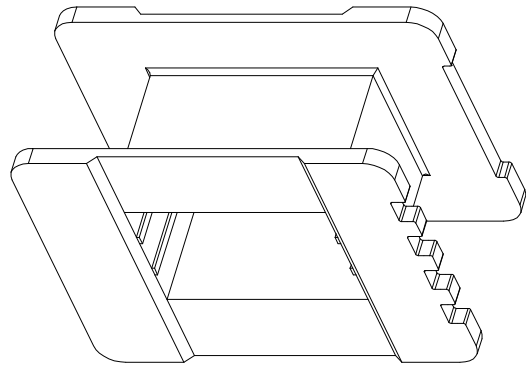
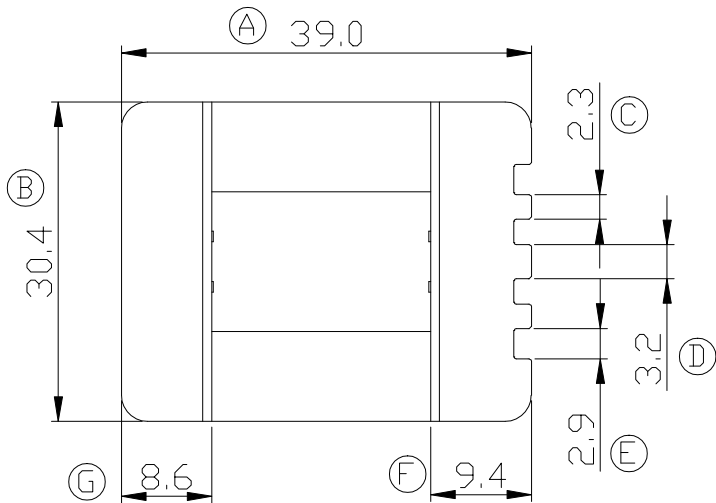



Build up your trust



TITLE:	EE-43	TOLERANCES		BOBBIN MATERIAL:	UL REC.
DRAWING NO:	GS-4302	0<L≤4 ±0.1	PIN PITCH ±0.2	PLASTIC CM3004	UL V-0
 建信電子制品有限公司 GEMSTONE ELECTRONIC PRODUCTS CO., LTD.		4<L≤16 ±0.2		PIN MATERIAL:	PIN TENSION LOAD:
		16<L≤63 ±0.3		ANGLE: ±1°	DATE: 2004/12/3
ADD: 廣東省東莞市石排鎮石崇大道 TEL: (0769) 86514918, 86514919 FAX: 86514878		UNIT: MM	SCALE: 1.5/1	CHECK: DAVID	APPROVED:
		DRAWN: XU ZHAN			

REV.	PORTION.	BEFORE REV.	AFTER REV.