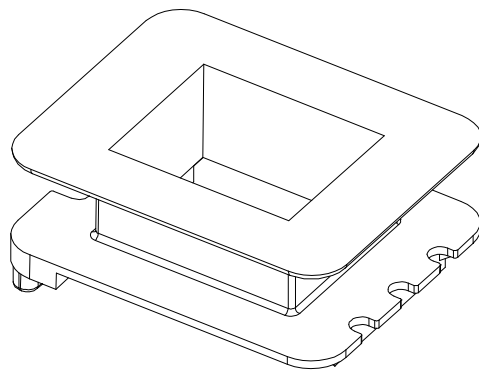
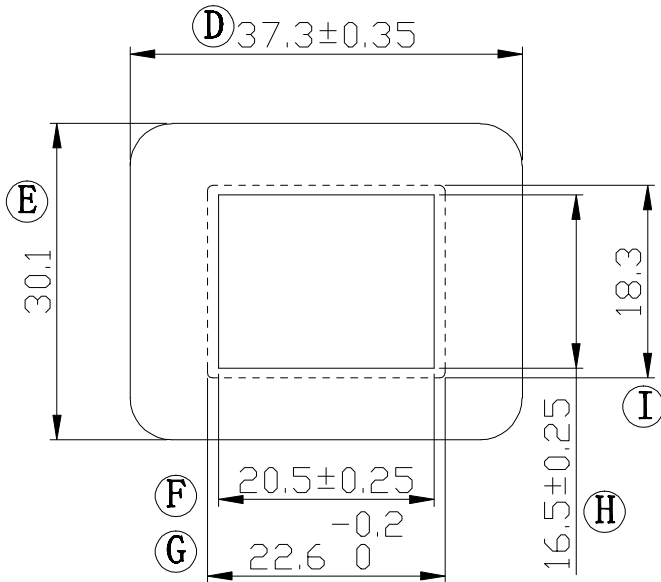
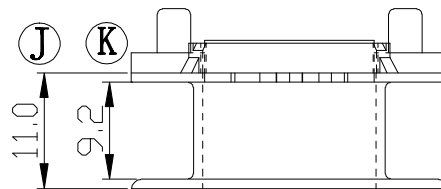
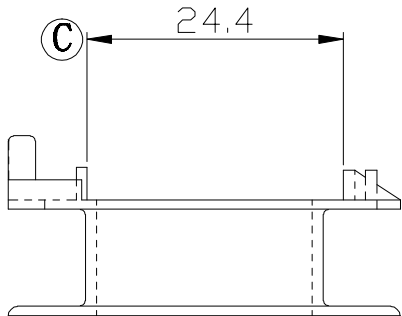
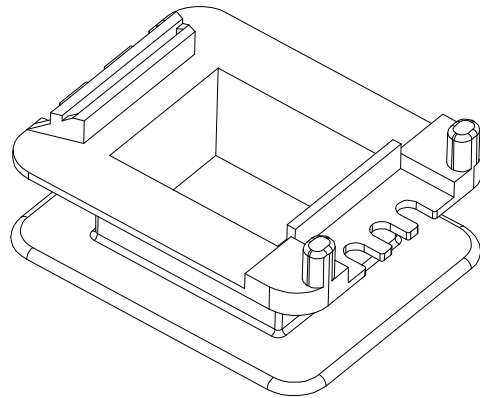
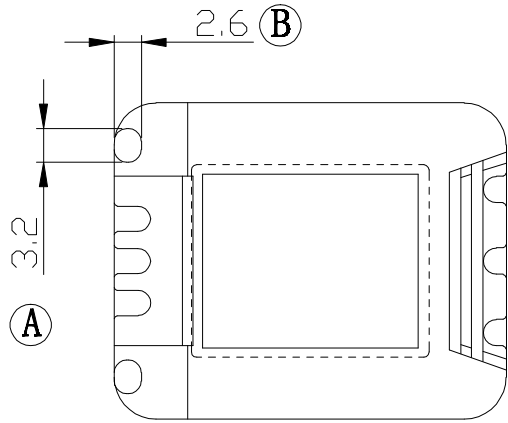



Build up your trust



TITLE:	EI-48*20.5	TOLERANCES		BOBBIN MATERIAL:	UL REC.
DRAWING NO:	GS-4806-1	0<L≤4 ±0.1	PIN PITCH ±0.2	PLASTIC NYLON 66	UL 94V-2
		4<L≤16 ±0.2		PIN MATERIAL:	PIN TENSION LOAD:
		16<L≤63 ±0.3			
 <b>建信電子制品有限公司</b> GEMSTONE ELECTRONIC PRODUCTS CO., LTD.	UNIT:	SCALE:	ANGLE:	DATE:	REV:
	MM	1.5/1	±1°	2005/3/8	A0
ADD: 廣東省東莞市石排鎮石崇大道 TEL: (0769) 86514918, 86514919 FAX: 86514878		DRAWN:		CHECK:	APPROVED:
		XU ZHAN		DAVID	

REV.	PORTION.	BEFORE REV.	AFTER REV.