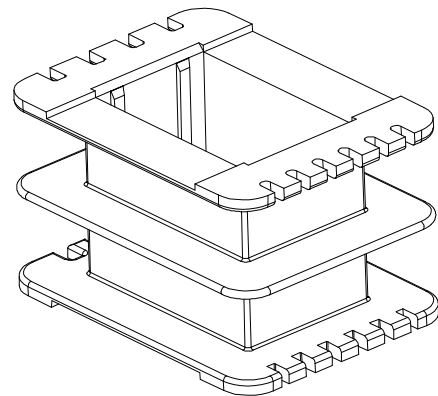
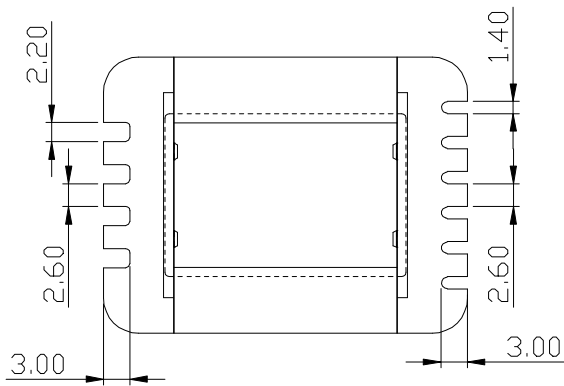
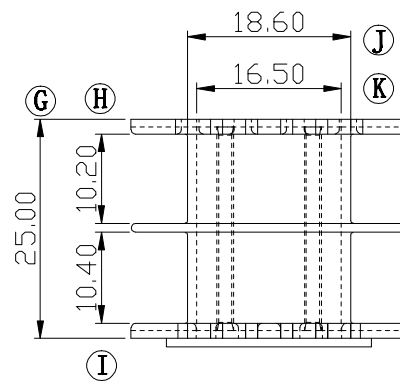
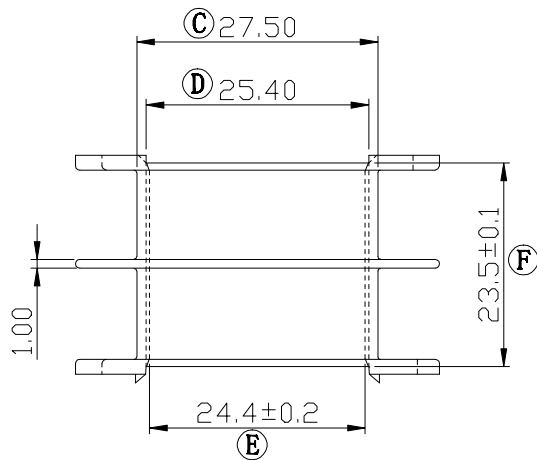
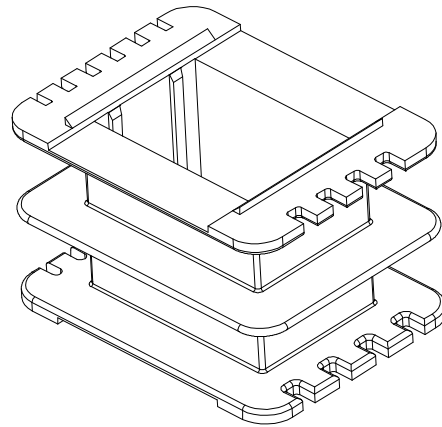
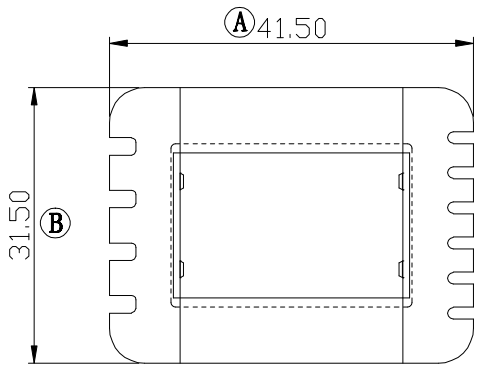



Build up your trust



TITLE:	EI-48*25	TOLERANCES		BOBBIN MATERIAL:		UL REC.
DRAWING NO:	GS-4807	0<L≤4 ±0.1	PIN PITCH ±0.00	NYLON 6/6		UL 94V-2
		4<L≤16 ±0.2		PIN MATERIAL:		PIN TENSION LOAD:
		16<L≤63 ±0.3				
 建信電子制品有限公司 GEMSTONE ELECTRONIC PRODUCTS CO., LTD.		UNIT:	SCALE:	ANGLE:	DATE:	REV:
		MM	1/1	±1°	2005/10/20	A0
ADD: 廣東省東莞市石排鎮石崇大道 TEL: (0769) 86514918, 86514919 FAX: 86514878		DRAWN:		CHECK:	APPROVED:	
		LI CHENGDA		XU ZHAN		

REV.	PORTION.	BEFORE REV.	AFTER REV.