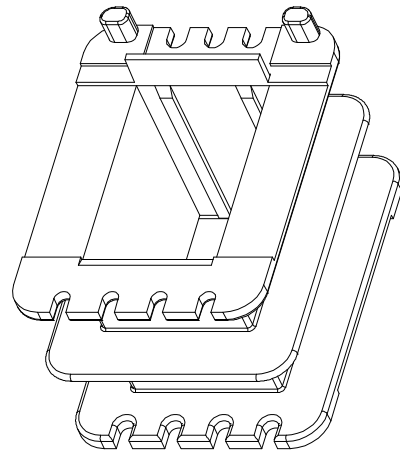
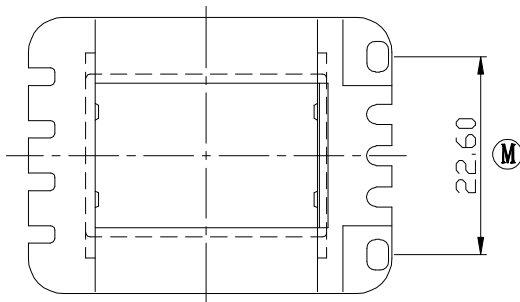
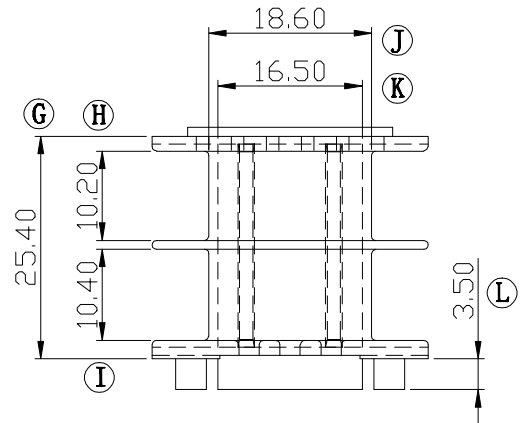
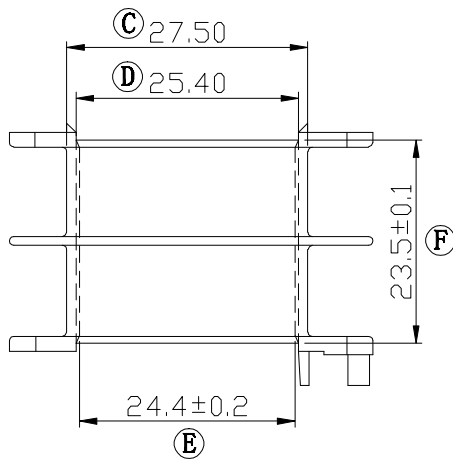
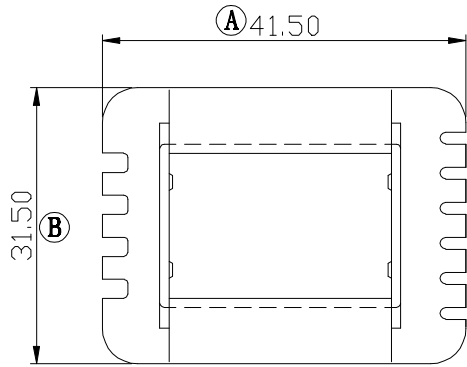



Build up your trust



TITLE:	EI-48*25	TOLERANCES		BOBBIN MATERIAL:	UL REC.
DRAWING NO:	GS-4807-1	0<L≤4 ±0.1	PIN PITCH ±0.00	NYLON 6/6	UL 94V-2
		4<L≤16 ±0.2		PIN MATERIAL:	PIN TENSION LOAD:
		16<L≤63 ±0.3			
 <b>建信電子制品有限公司</b> GEMSTONE ELECTRONIC PRODUCTS CO., LTD. ADD: 廣東省東莞市石排鎮石崇大道 TEL: (0769) 86514918, 86514919 FAX: 86514878	UNIT:	SCALE:	ANGLE:	DATE:	REV:
	MM	1/1	±1°	2005/10/22	A0
	DRAWN:	CHECK:	APPROVED:		
		LI CHENGDA	XU ZHAN		

REV.	PORTION.	BEFORE REV.	AFTER REV.