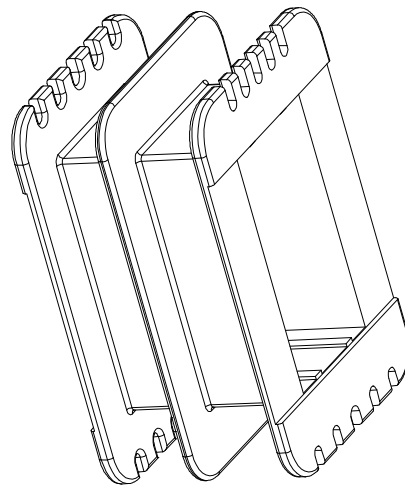
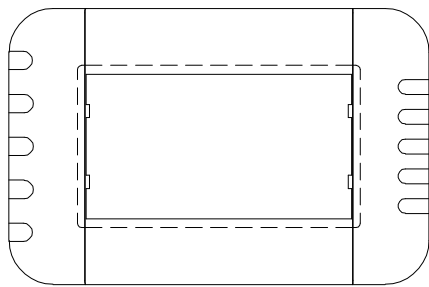
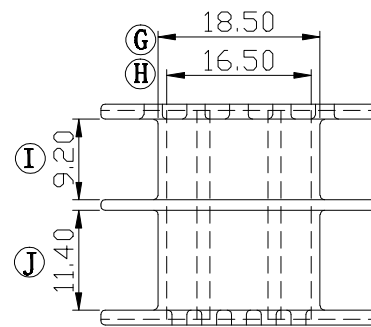
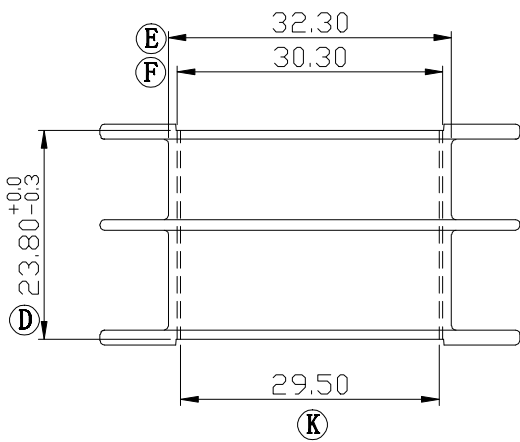
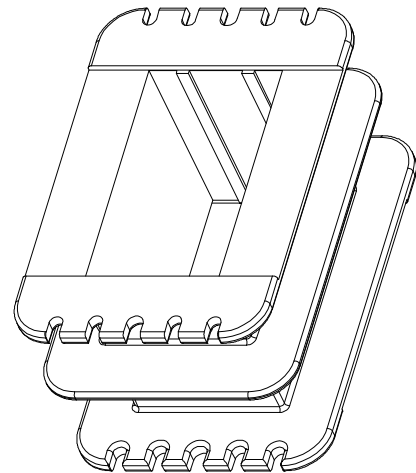
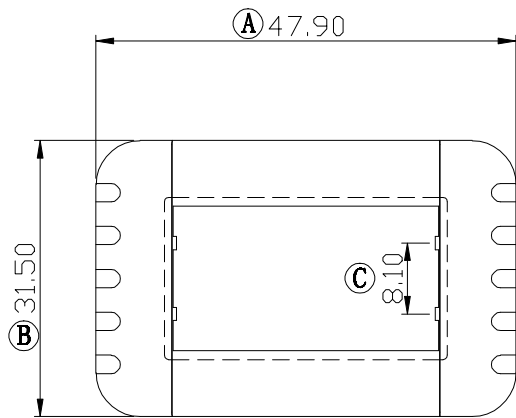



Build up your trust



TITLE:	EI-48*30	TOLERANCES		BOBBIN MATERIAL:	UL REC.	
DRAWING NO:	GS-4808	0<L≤4 ±0.1	PIN PITCH ±0.00	NYLON 6/6	UL 94V-2	
 建信電子制品有限公司 GEMSTONE ELECTRONIC PRODUCTS CO., LTD. ADD: 廣東省東莞市石排鎮石崇大道 TEL: (0769) 86514918, 86514919 FAX: 86514878		4<L≤16 ±0.2		PIN MATERIAL:	PIN TENSION LOAD:	
		16<L≤63 ±0.3		ANGLE:	DATE:	REV:
		UNIT: MM	SCALE: 1/1	±1°	2005/10/14	A0
		DRAWN: LI CHENGDA		CHECK: XU ZHAN	APPROVED:	

REV.	PORTION.	BEFORE REV.	AFTER REV.