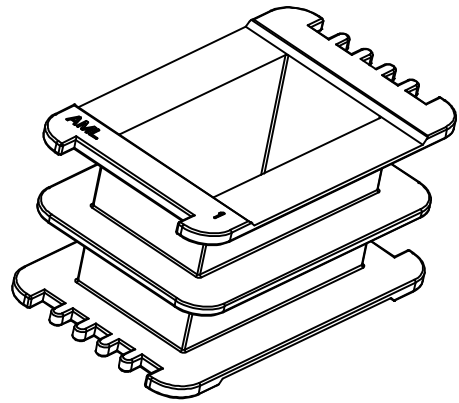
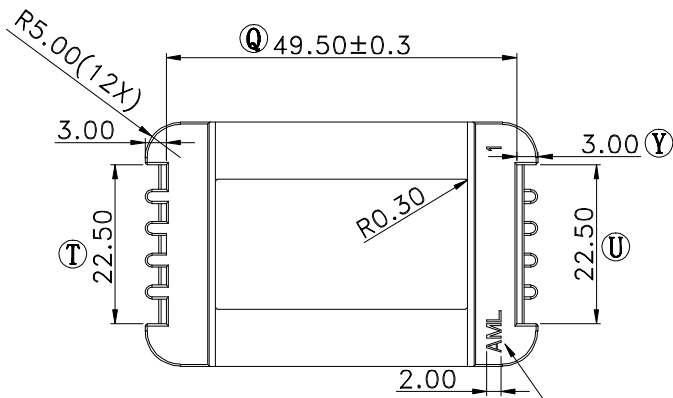
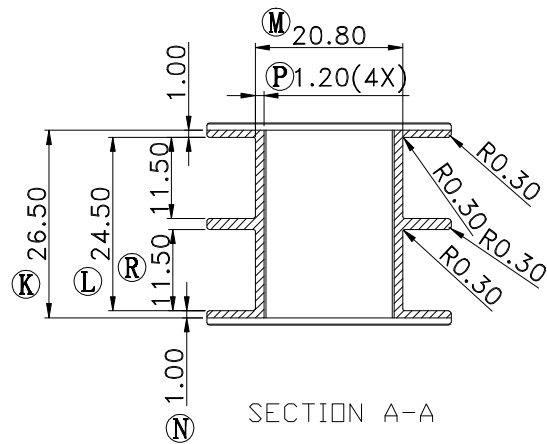
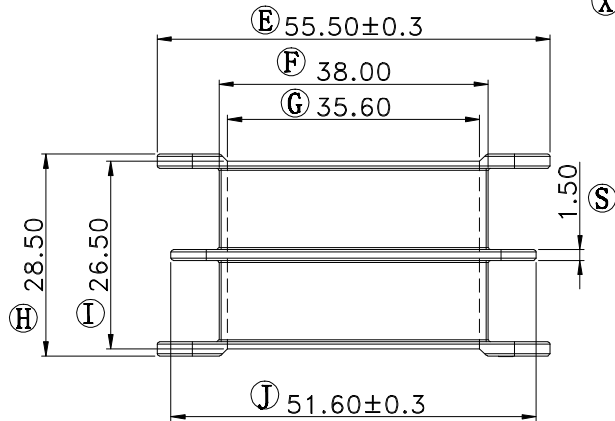
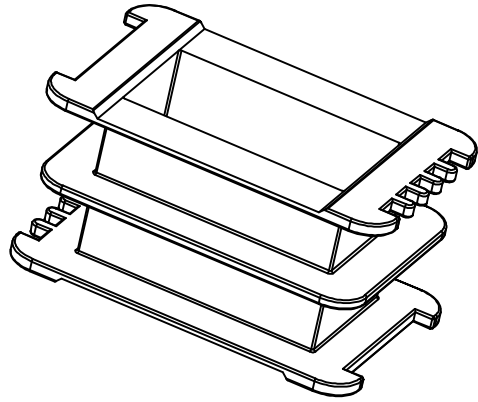
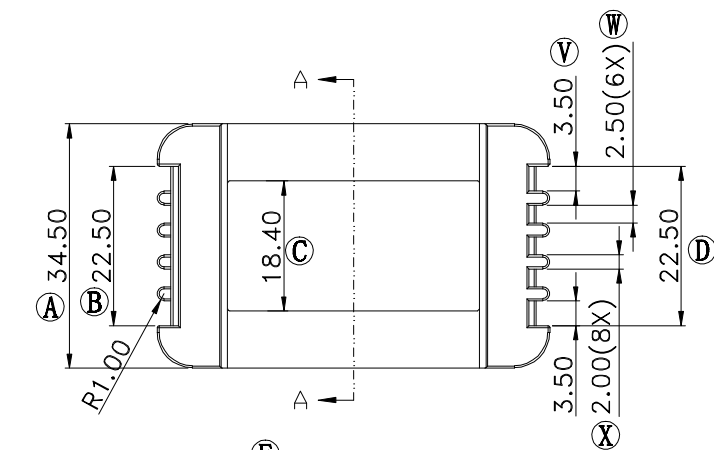


Build up your trust



字高0.1mm

TITLE: BOBBIN EI-54		TOLERANCES		BOBBIN MATERIAL: PA66 101L(NC)		UL REC. UL 94V-0	
DRAWING NO: GS-5401		0<L≦6 ±0.10	PIN PITCH ±0.2	PIN MATERIAL:		PIN TENSION LOAD:	
		6<L≦22 ±0.15					
建信電子制品有限公司 GEMSTONE ELECTRONIC PRODUCTS CO., LTD. ADD: 廣東省東莞市石排鎮石崇大道 TEL: (0769)86514918, 86514919 FAX:86514878		UNIT: MM	SCALE: 1/1	ANGLE: ±1°	DATE: 2013-03-12	REV: A2	
		DRAWN: L. K. L		CHECK: X. Z		APPROVED:	
REV.	PORTION.	BEFORE REV.		AFTER REV.			