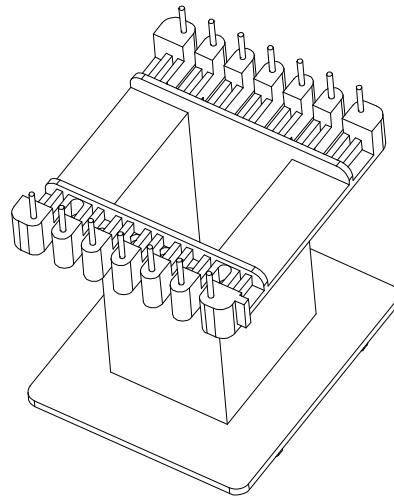
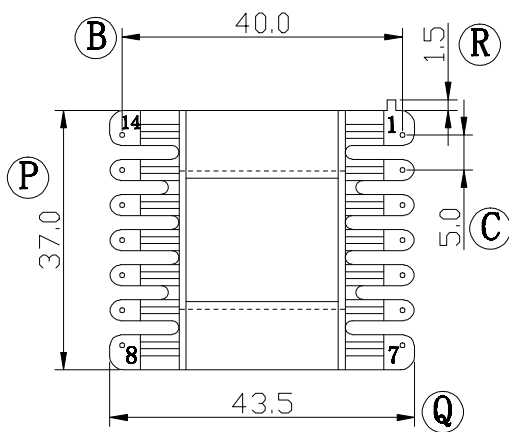
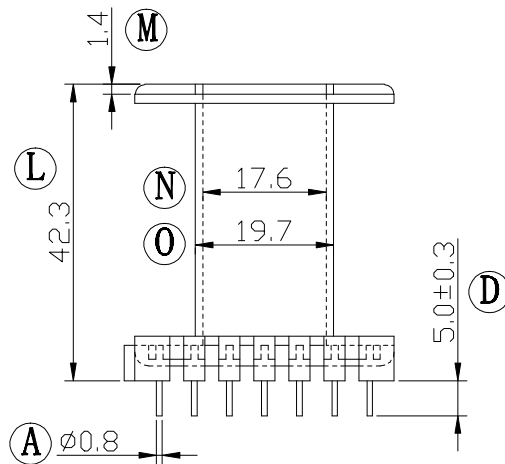
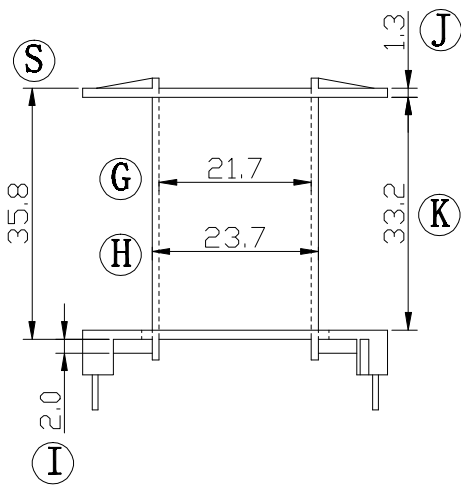
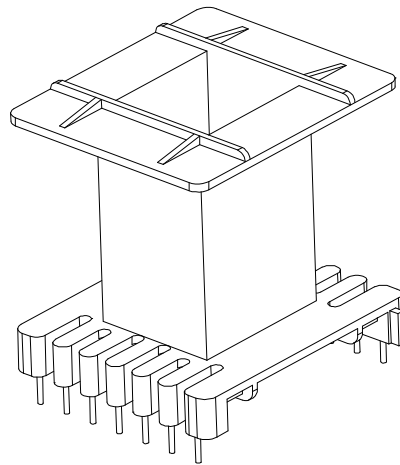
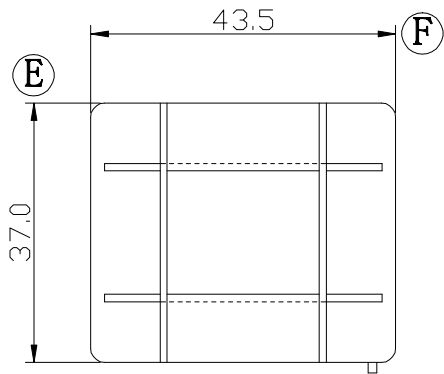



Build up your trust



TITLE:	EE-55 14PIN	TOLERANCES		BOBBIN MATERIAL:	UL REC.
DRAWING NO:	GS-5501	0<L≤4 ?.1	PIN PITCH ±0.2	PHENOLIC PM9630	UL 94V-0
 <b>建信電子制品有限公司</b> GEMSTONE ELECTRONIC PRODUCTS CO., LTD. ADD: 廣東省東莞市石排鎮石崇大道 TEL: (0769) 86514918, 86514919 FAX: 86514878		4<L≤16 ?.2		PIN MATERIAL:	PIN TENSION LOAD:
		16<L≤63 ?.3	CP WIRE	1.5KG MIN	
UNIT:	MM	SCALE:	1/1	ANGLE:	DATE:
				±1°	2005/6/1
		DRAWN:		CHECK:	REV:
		XU ZHAN		DAVID	A0
		DRAWN:		CHECK:	APPROVED:
		XU ZHAN		DAVID	

REV.	PORTION.	BEFORE REV.	AFTER REV.