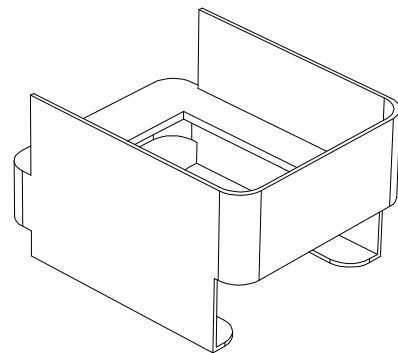
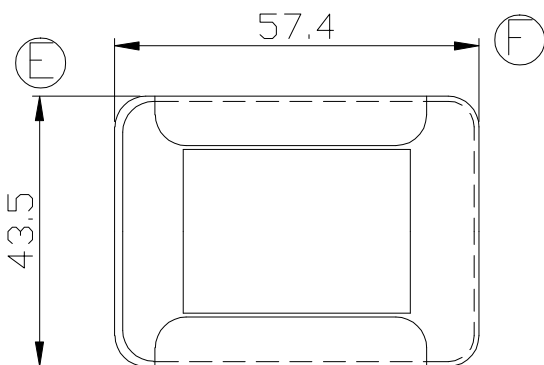
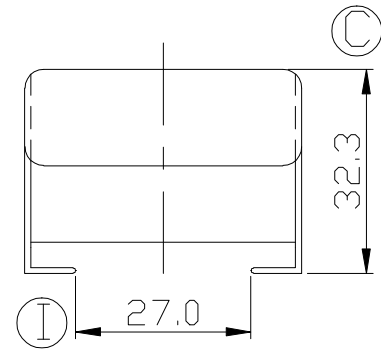
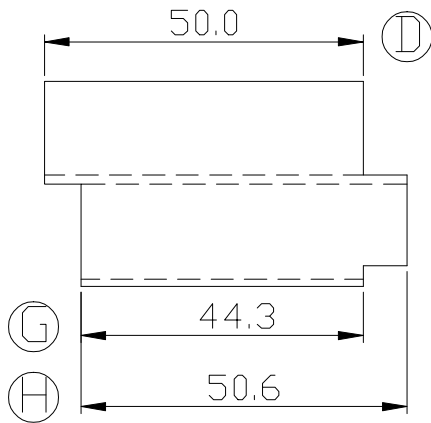
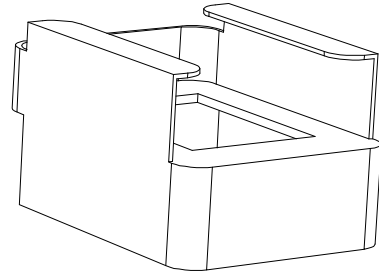
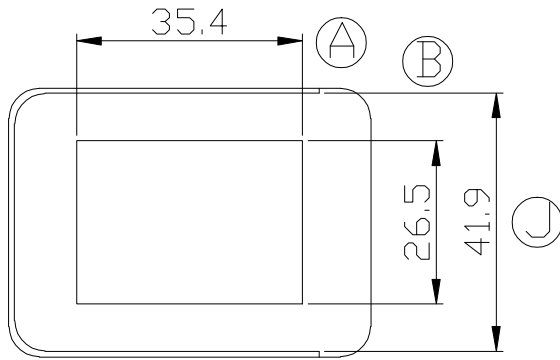



Build up your trust



TITLE:	EI-66*32	TOLERANCES		BOBBIN MATERIAL:	UL REC.
DRAWING NO:	GS-6602	0<L≤4 ±0.1	PIN PITCH ±0.2	PLASTIC 1300S	UL 94V-2
 建信電子制品有限公司 GEMSTONE ELECTRONIC PRODUCTS CO., LTD.		4<L≤16 ±0.2		PIN MATERIAL:	PIN TENSION LOAD:
		16<L≤63 ±0.3	UNIT: MM	SCALE: 1.5/1	ANGLE: ±1°
ADD: 廣東省東莞市石排鎮石崇大道		DRAWN: XU ZHAN		CHECK: DAVID	APPROVED:
TEL: (0769) 86514918, 86514919 FAX: 86514878					

REV.	PORTION.	BEFORE REV.	AFTER REV.