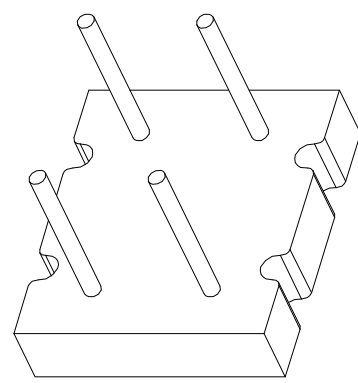
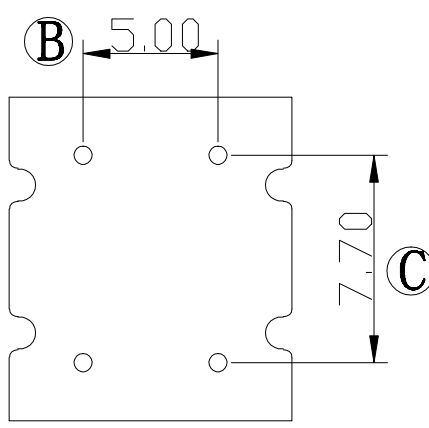
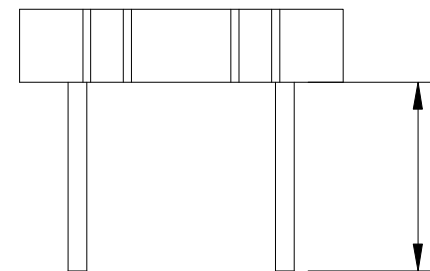
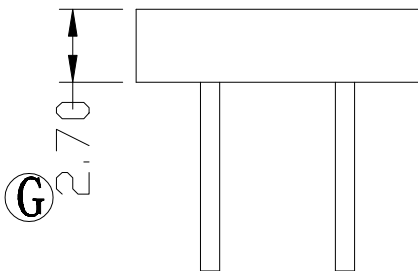
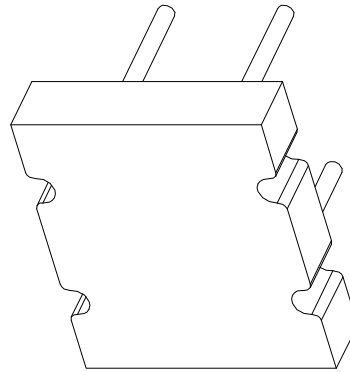
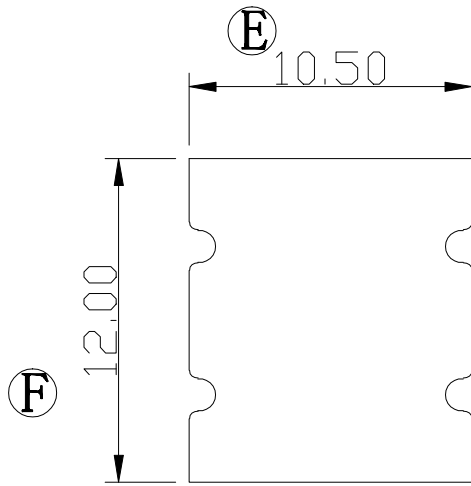



Build up your trust



TITLE:	BASE (4PIN)	TOLERANCES		BOBBIN MATERIAL:	UL REC.
DRAWING NO:	GS-B001-2	0 $L \le 4$ ±0.1	PIN PITCH ±0.2	PHENOLIC T375HF	UL 94V-0
 建信電子制品有限公司 GEMSTONE ELECTRONIC PRODUCTS CO., LTD. ADD: 廣東省東莞市石排鎮石崇大道 TEL: (0769) 86514918, 86514919 FAX: 86514878		4 $L \le 16$ ±0.2		PIN MATERIAL:	PIN TENSION LOAD:
		16 $L \le 63$ ±0.3	±0.2	CP WIRE	1.5KG MIN
		UNIT:	SCALE:	ANGLE:	DATE:
		MM	4/1	±1°	2011/03/30
		DRAWN:		CHECK:	REV:
		QIU		XU ZHAN	A0
		DRAWN:		CHECK:	APPROVED:
		QIU		XU ZHAN	

REV.	PORTION.	BEFORE REV.	AFTER REV.