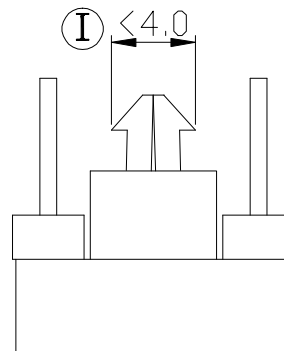
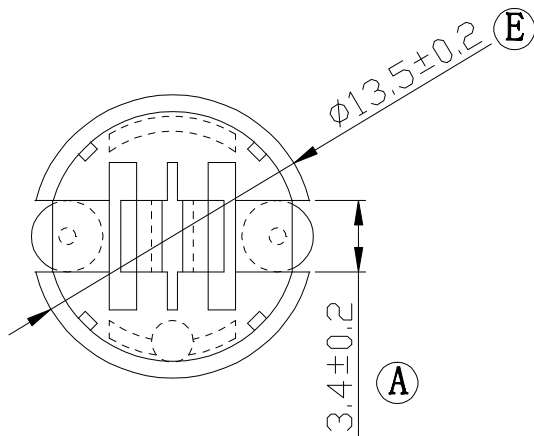
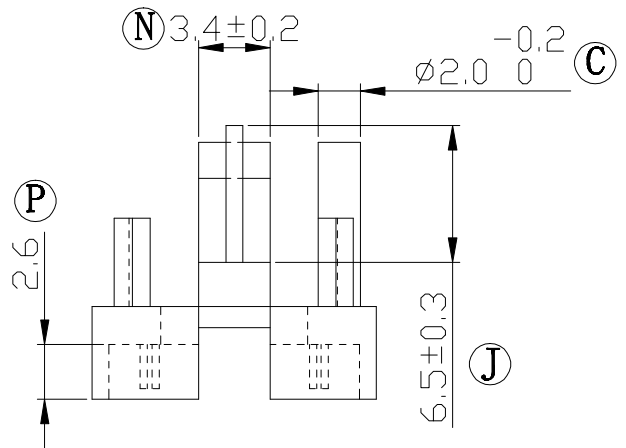
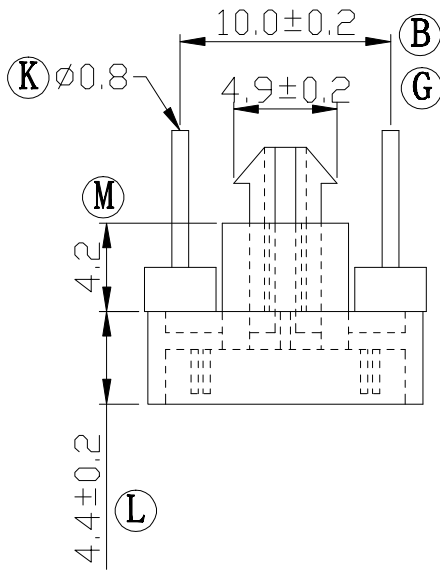
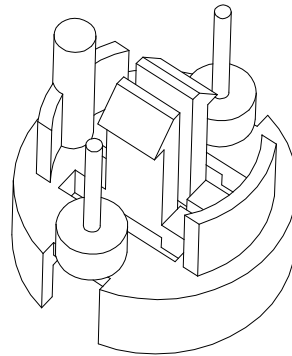
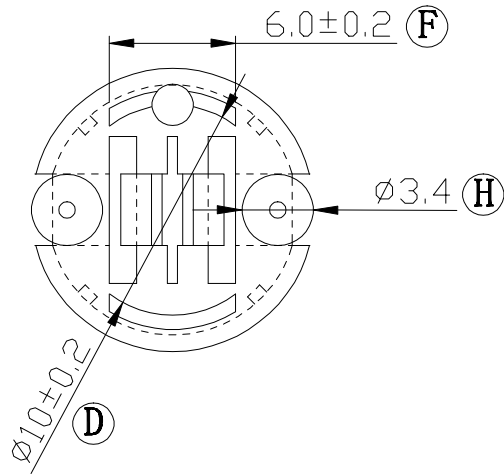



Build up your trust



TITLE:	BASE 2PIN		TOLERANCES		BOBBIN MATERIAL: PLASTIC PBT		UL REC. UL 94V-0	
DRAWING NO:	GS-B009		0<L≤4 ±0.1	PIN PITCH ±0.2	PIN MATERIAL: CP WIRE		PIN TENSION LOAD: 1.5kg MIN	
			4<L≤16 ±0.2					
			16<L≤63 ±0.3		ANGLE: ±1°	DATE: 2005/4/7	REV: A0	
 <b>建信電子制品有限公司</b> GEMSTONE ELECTRONIC PRODUCTS CO., LTD.			UNIT: MM	SCALE: 3/1	CHECK: DAVID		APPROVED:	
ADD: 廣東省東莞市石排鎮石崇大道 TEL: (0769) 86514918, 86514919 FAX: 86514878			DRAWN: XU ZHAN					

REV.	PORTION.	BEFORE REV.	AFTER REV.