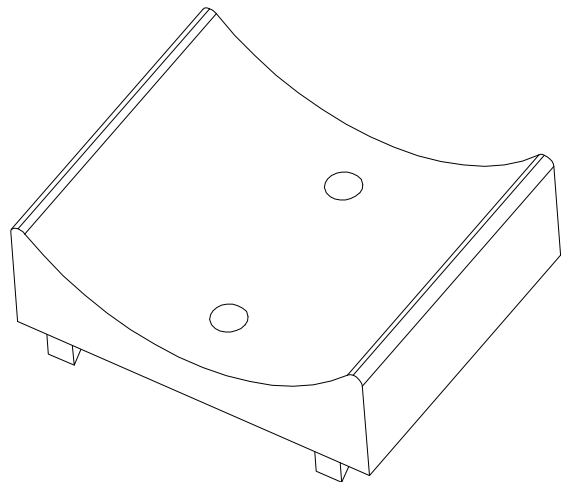
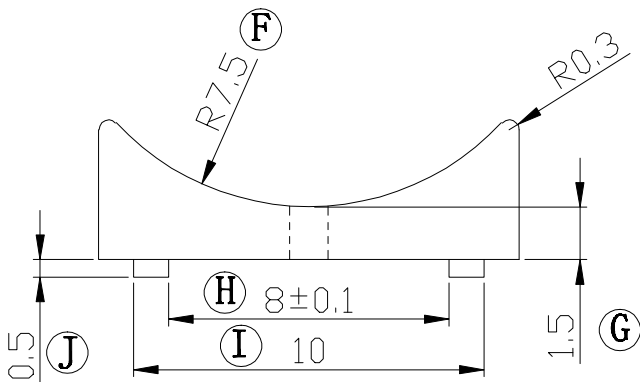
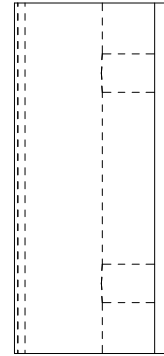
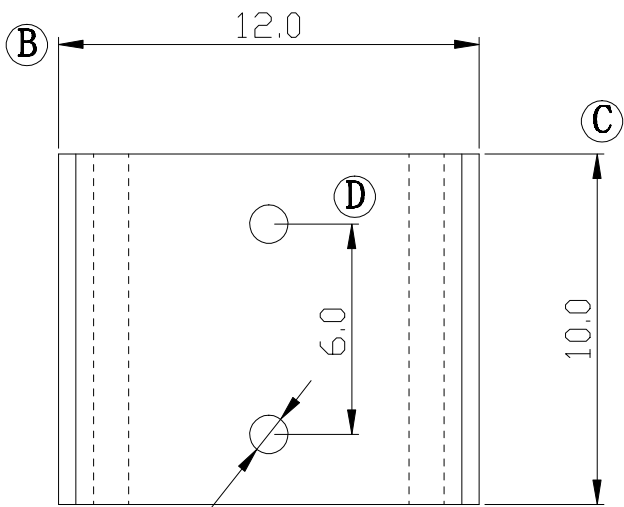
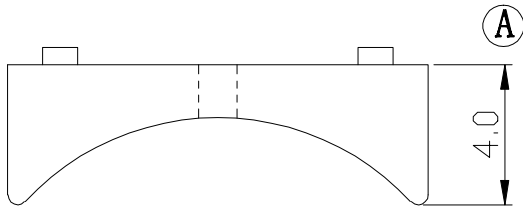



Build up your trust



TITLE:	BASE		TOLERANCES		BOBBIN MATERIAL:		UL REC.
DRAWING NO:	GS-B010 (B)		0<L≤4 ±0.1	PIN PITCH ±0.2	PHENOLIC T375HF		UL 94V-0
 <b>建信電子制品有限公司</b> GEMSTONE ELECTRONIC PRODUCTS CO., LTD.			4<L≤16 ±0.2		PIN MATERIAL:		PIN TENSION LOAD:
			16<L≤63 ±0.3				
ADD: 廣東省東莞市石排鎮石崇大道 TEL: (0769) 86514918, 86514919 FAX: 86514878			UNIT:	SCALE:	ANGLE:	DATE:	REV:
			MM	5/1	±1°	2005/5/16	A1
			DRAWN:		CHECK:		APPROVED:
			XU ZHAN		DAVID		

REV.	PORTION.	BEFORE REV.	AFTER REV.