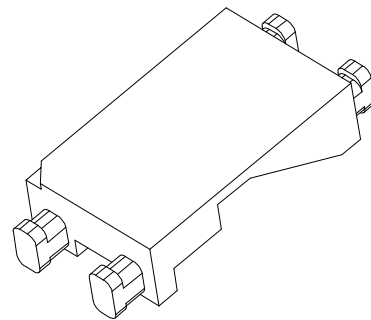
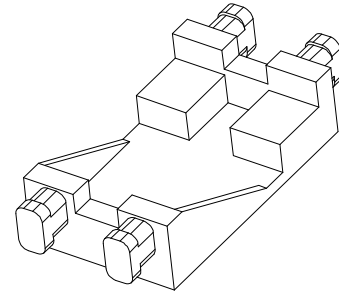
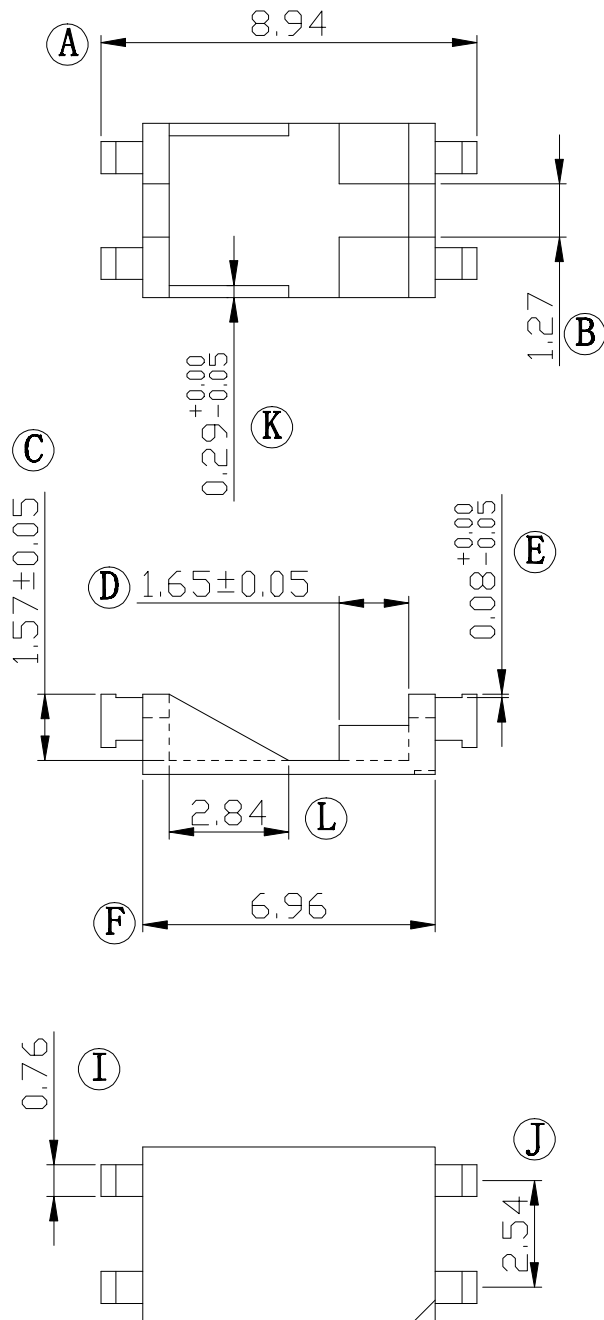



Build up your trust



TITLE:	BASE	TOLERANCES		BOBBIN MATERIAL:	UL REC.
DRAWING NO:	GS-B011	±0.13	PIN PITCH ±0.2	DAP AM113	UL 94V-0
 <b>建信電子制品有限公司</b> GEMSTONE ELECTRONIC PRODUCTS CO., LTD. ADD: 廣東省東莞市石排鎮石崇大道 TEL: (0769) 86514918, 86514919 FAX: 86514878		UNIT:	SCALE:	ANGLE:	DATE:
		MM	6/1	±1°	2007/11/01
		DRAWN:	CHECK:	REV:	APPROVED:
		XU ZHAN	XU ZHAN	A1	

REV.	PORTION.	BEFORE REV.	AFTER REV.