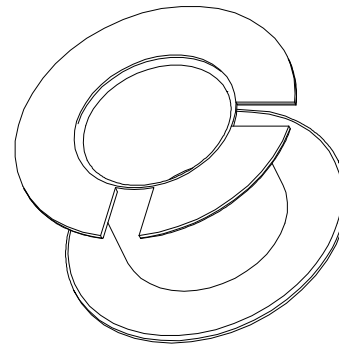
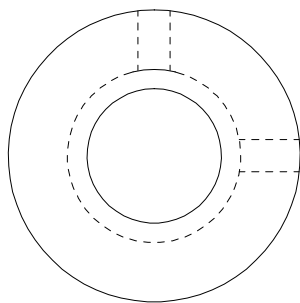
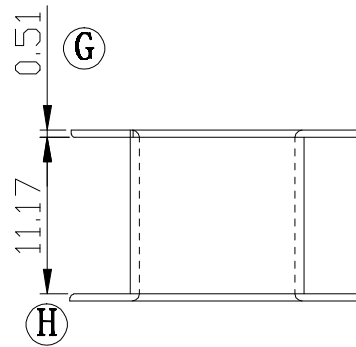
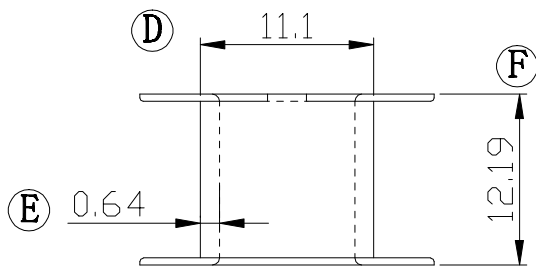
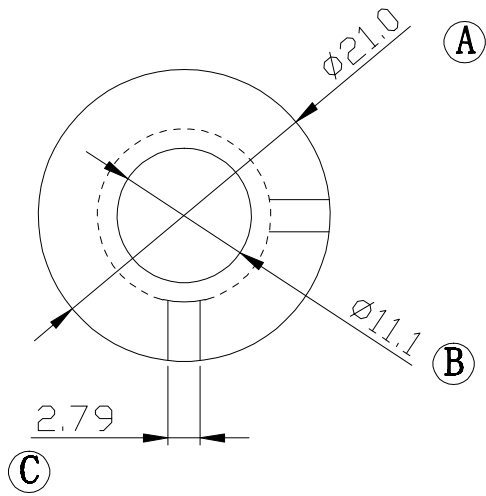



Build up your trust



TITLE: BOBBIN		TOLERANCES		BOBBIN MATERIAL: PA66 101F		UL REC. UL 94V-2	
DRAWING NO: GS-B013 (070-4955)		± 0.13		PIN MATERIAL:		PIN TENSION LOAD:	
 建信電子制品有限公司 GEMSTONE ELECTRONIC PRODUCTS CO., LTD. ADD: 廣東省東莞市石排鎮石崇大道 TEL: (0769) 86514918, 86514919 FAX: 86514878		UNIT: MM	SCALE: 2/1	ANGLE: $\pm 1^\circ$	DATE: 2006/5/16	REV: A1	
		DRAWED: HZP		CHECK: XU ZHAN		APPROVED:	

REV.	PORTION.	BEFORE REV.	AFTER REV.