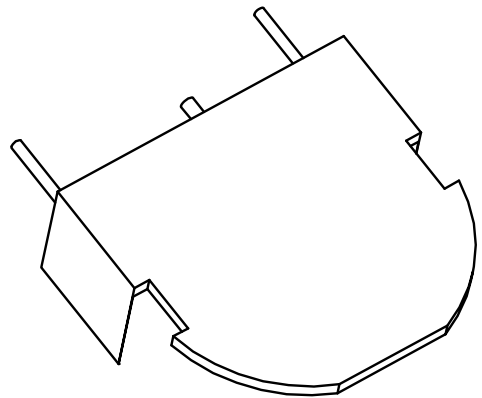
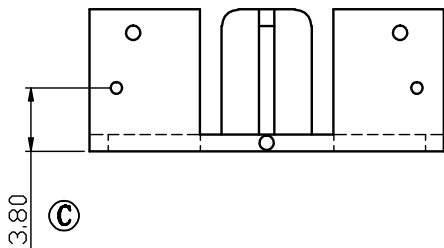
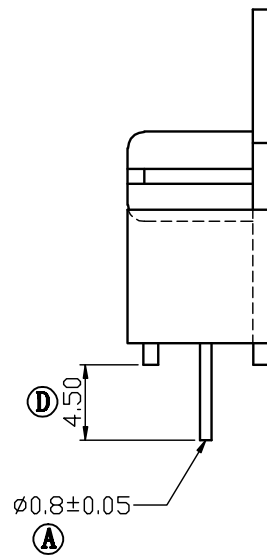
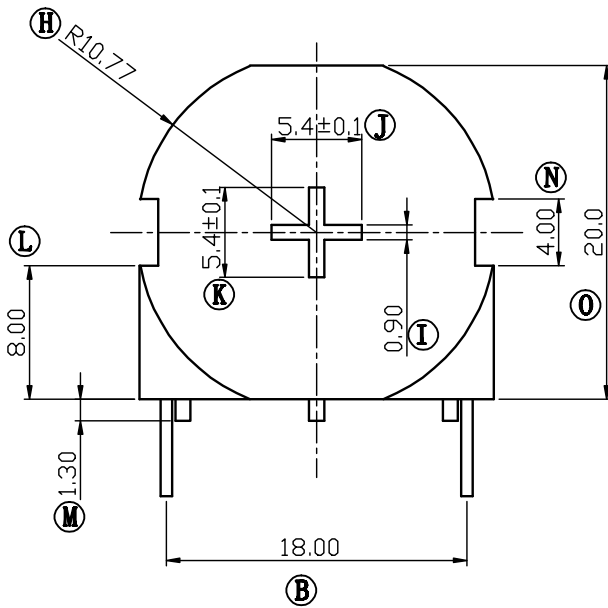
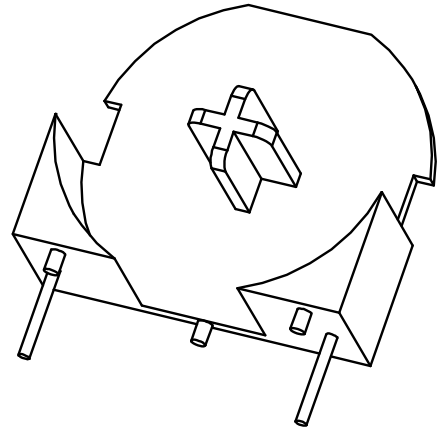
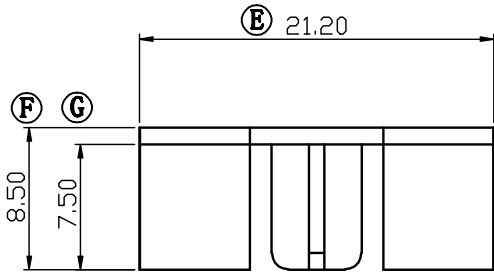



Build up your trust



TITLE: <b>BASE 2PIN</b>		TOLERANCES		BOBBIN MATERIAL: <b>NYLON 6/6</b>		UL REC: <b>UL 94V-0</b>	
DRAWING NO: <b>GS-B014</b>		0<L≤4 ±0.1	PIN PITCH ±0.2	PIN MATERIAL: <b>CP WIRE</b>		PIN TENSION LOAD: 1.0KG MIN	
		4<L≤16 ±0.2					
		16<L≤63 ±0.3					
 <b>建信電子制品有限公司</b> GEMSTONE ELECTRONIC PRODUCTS CO., LTD.		UNIT: <b>MM</b>	SCALE: <b>1/1</b>	ANGLE: <b>±1°</b>	DATE: <b>2005/8/26</b>	REV: <b>A0</b>	
ADD: 廣東省東莞市石排鎮石崇大道 TEL: (0769)86514918, 86514919 FAX: 86514878		DRAWN: <b>LI CHENGDA</b>		CHECK: <b>XU ZHAN</b>		APPROVED:	

REV.	PORTION.	BEFORE REV.	AFTER REV.