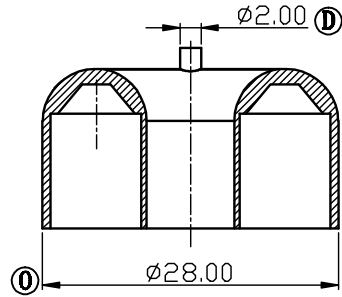
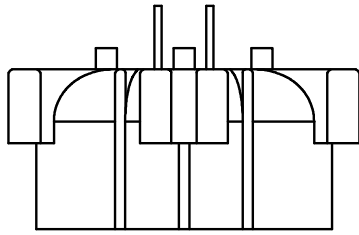
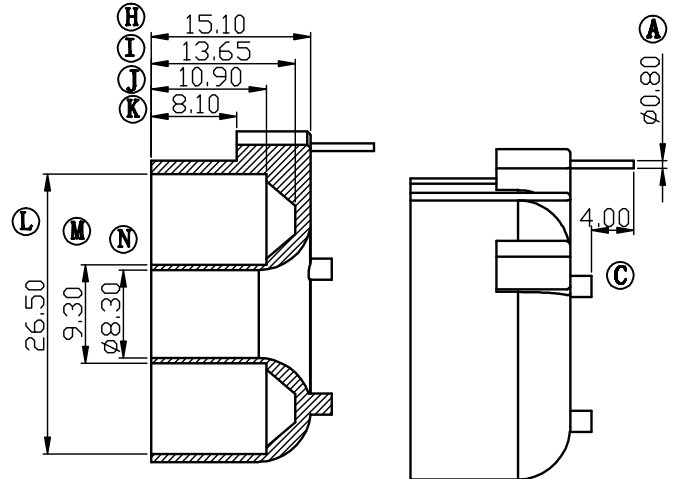
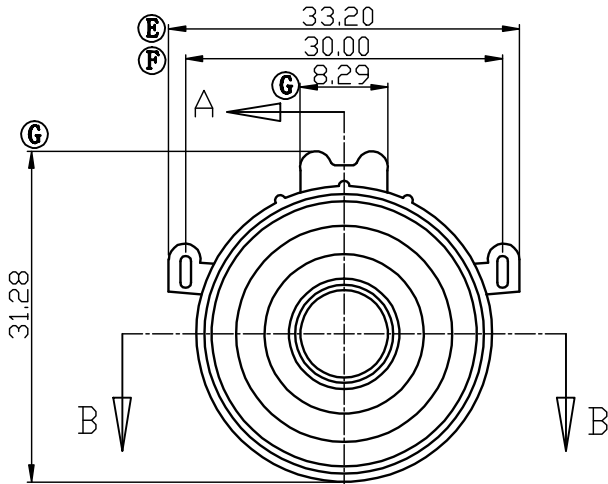


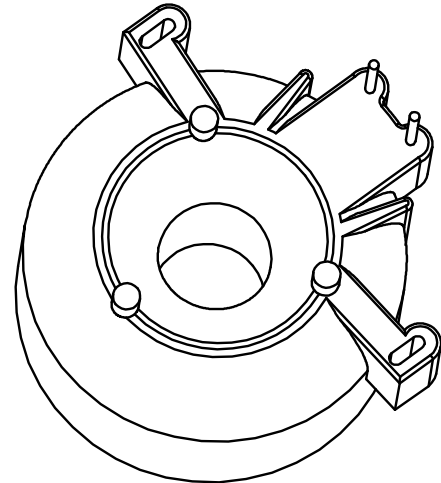
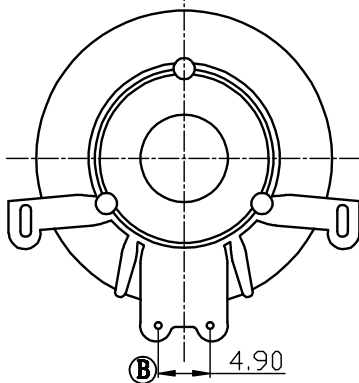
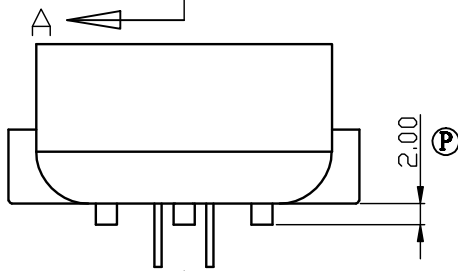
Build up your trust



SECTION B-B



SECTION A-A



TITLE: BASE 2PIN		TOLERANCES		BOBBIN MATERIAL: PBT		UL REC: UL 94V-0	
DRAWING NO: GS-B015-A		0<L≤4 ±0.1	PIN PITCH ±0.2	PIN MATERIAL: CP WIRE		PIN TENSION LOAD: 1.0kg MIN	
		4<L≤16 ±0.2					
		16<L≤63 ±0.3		ANGLE: ±1°	DATE: 2005/8/26	REV: A0	
 建信電子制品有限公司 GEMSTONE ELECTRONIC PRODUCTS CO., LTD. ADD: 廣東省東莞市石排鎮石崇大道 TEL: (0769)86514918, 86514919 FAX:86514878		UNIT: MM	SCALE: 1/1	DRAWN: LI CHENGDA		CHECK: XU ZHAN	
				APPROVED:			

REV.	PORTION.	BEFORE REV.	AFTER REV.