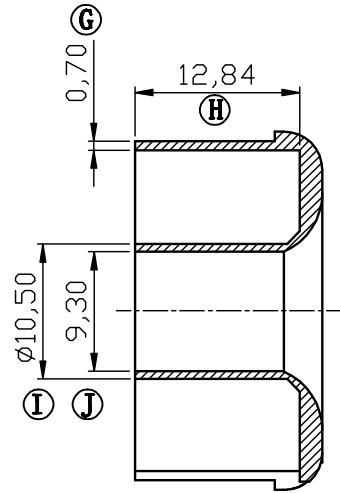
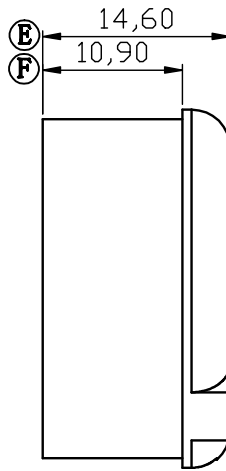
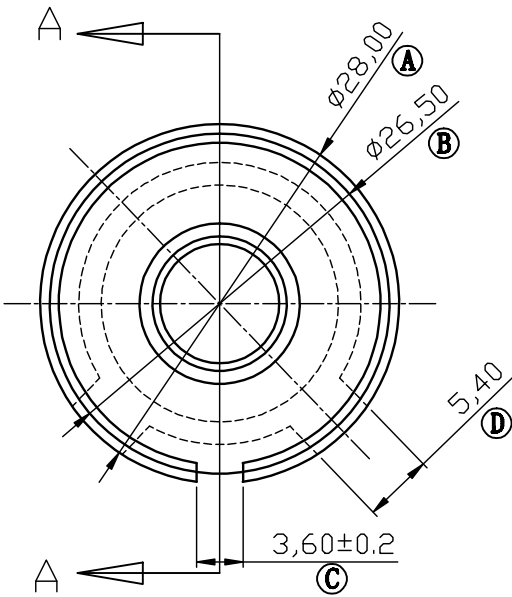
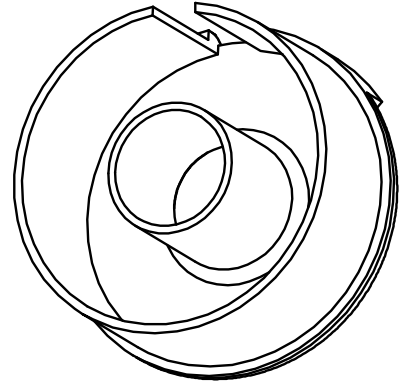
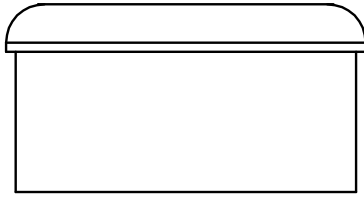
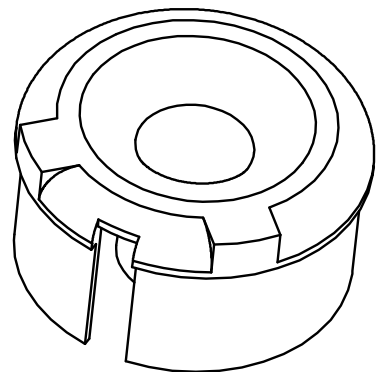
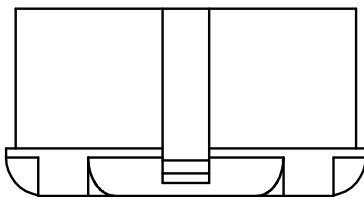



Build up your trust



SECTION A-A



TITLE: BASE		TOLERANCES		BOBBIN MATERIAL: PBT		UL REC: UL 94V-0	
DRAWING NO: GS-B015-B		0<L≤4 ±0.1 4<L≤16 ±0.2 16<L≤63 ±0.3		PIN PITCH ±0.2		PIN MATERIAL:	
 建信電子制品有限公司 GEMSTONE ELECTRONIC PRODUCTS CO., LTD. ADD: 廣東省東莞市石排鎮石崇大道 TEL: (0769)86514918, 86514919 FAX: 86514878		UNIT: MM	SCALE: 1/1	ANGLE: ±1°	DATE: 2005/8/26	REV: A0	
DRAWN: LI CHENGDA			CHECK: XU ZHAN		APPROVED:		

REV.	PORTION.	BEFORE REV.	AFTER REV.