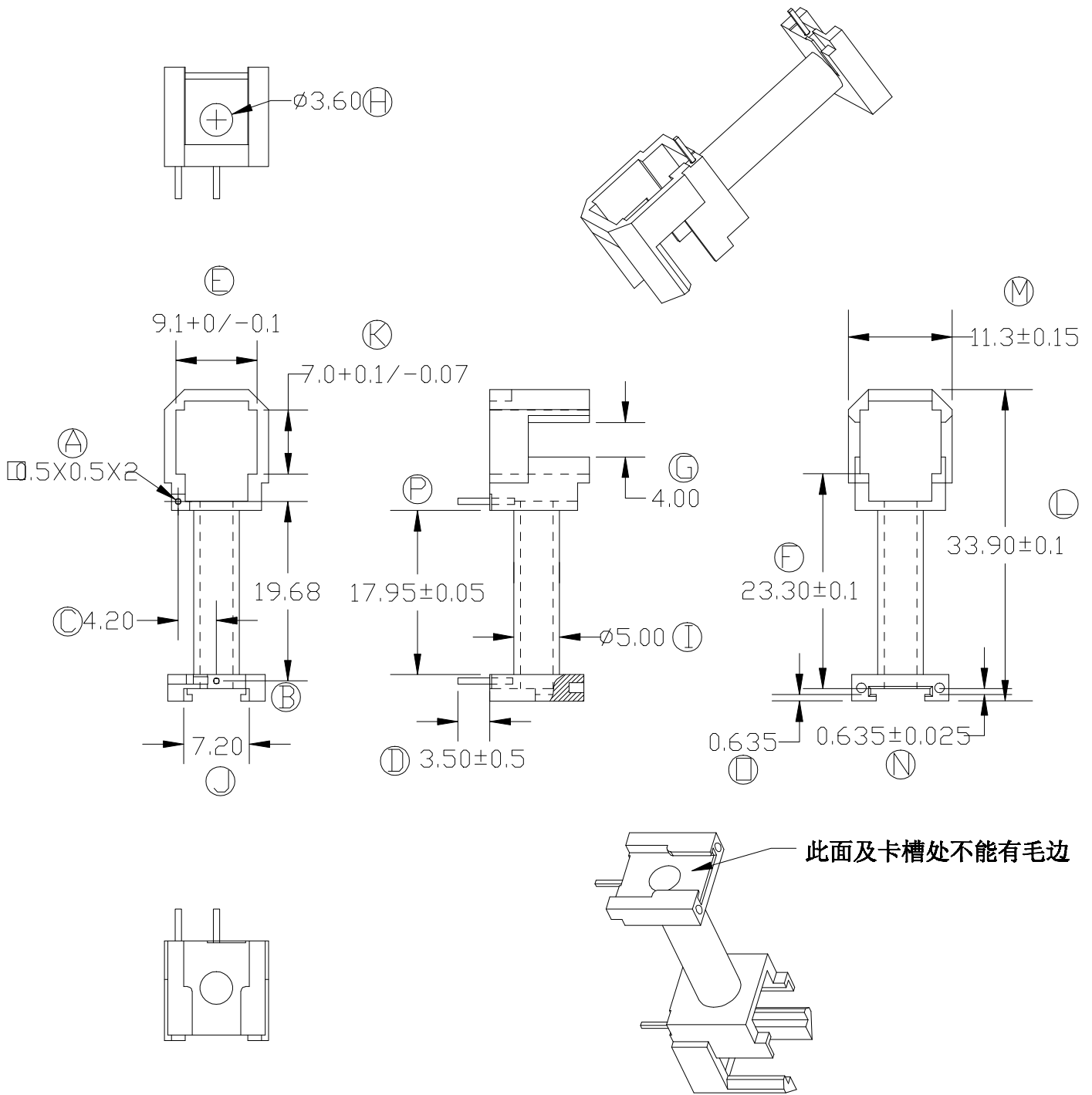



Build up your trust



TITLE:	BOBBIN MIS-WIRE		TOLERANCES		BOBBIN MATERIAL:		UL REC.
DRAWING NO:	P-7312-01 (GS-B018)		$0 < L \leq 4 \pm 0.1$ $4 < L \leq 16 \pm 0.2$ $16 < L \leq 63 \pm 0.3$		70G13L		HB
 建信電子制品有限公司 GEMSTONE ELECTRONIC PRODUCTS CO., LTD.			UNIT: MM		SCALE: 2/1		REV: A7
			DRAWN: XU ZHAN		CHECK: XU ZHAN		APPROVED:
ADD: 廣東省東莞市石排鎮石崇大道 TEL: (0769) 86514918, 86514919 FAX: 86514878			PIN PITCH: ± 0.2		PIN MATERIAL: PHOSPHOR BRONZE		PIN TENSION LOAD: 1.0KG MIN
			ANGLE: $\pm 1^\circ$		DATE: 2006/11/20		

REV.	PORTION.	BEFORE REV.	AFTER REV.