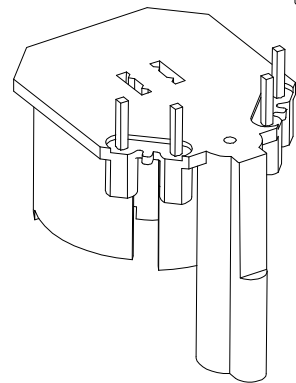
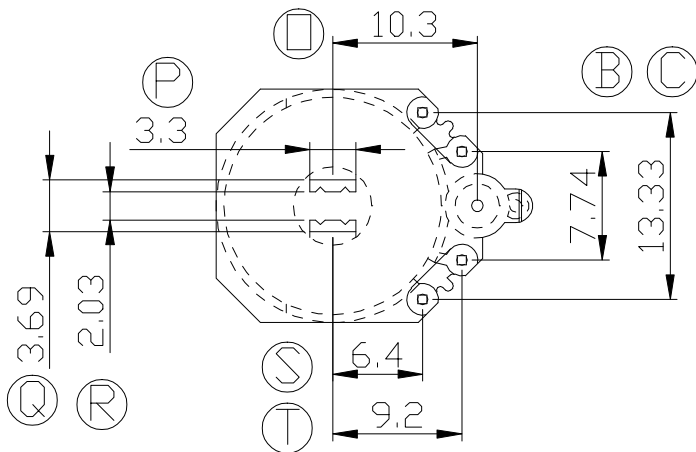
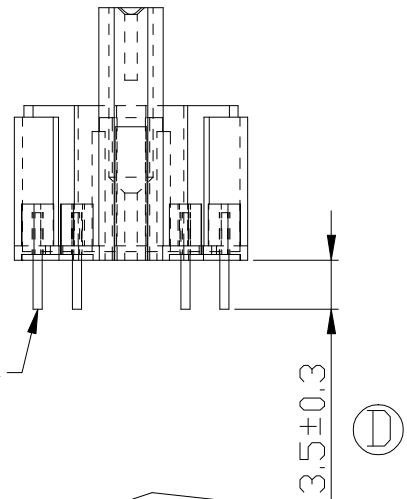
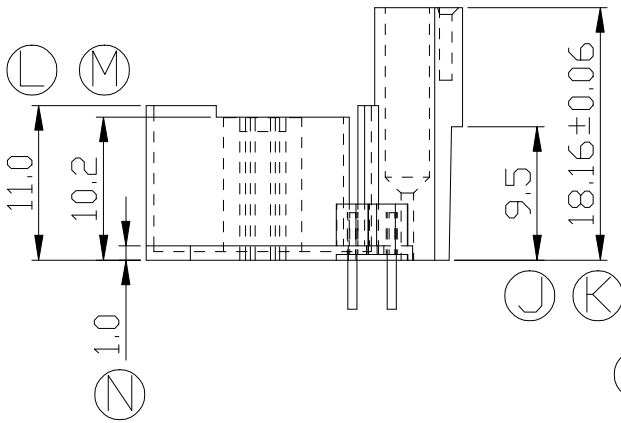
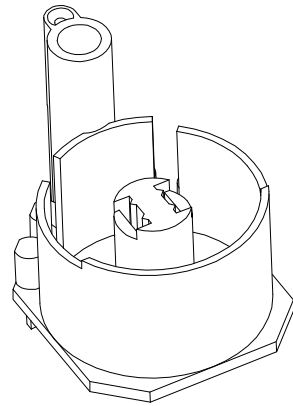
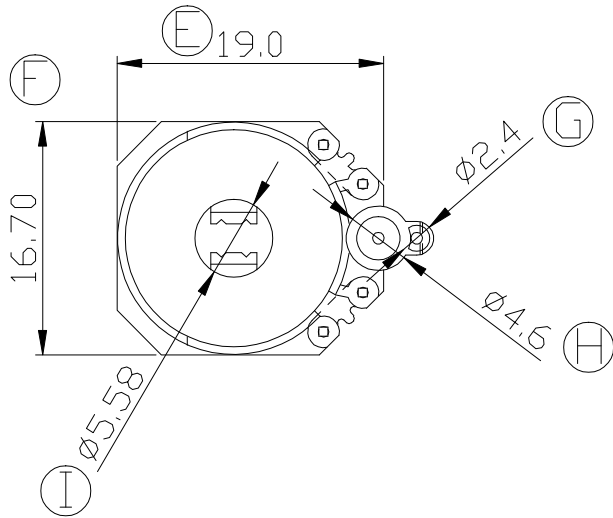



Build up your trust



TITLE: <b>CARRIER</b>		TOLERANCES		BOBBIN MATERIAL: PLASTIC 70G13L		UL REC. UL HB		
DRAWING NO: <b>C04792 (GS-B019)</b>		0<L≤4 ±0.1	PIN PITCH ±0.2	PIN MATERIAL: PHOSPHOR BRONZE		PIN TENSION LOAD: 1.5KG MIN		
 <b>建信電子制品有限公司</b> GEMSTONE ELECTRONIC PRODUCTS CO., LTD. ADD: 廣東省東莞市石排鎮石崇大道 TEL: (0769) 86514918, 86514919 FAX: 86514878		4<L≤16 ±0.2		UNIT: <b>MM</b>	SCALE: <b>2/1</b>	ANGLE: <b>±1°</b>	DATE: <b>2006/11/20</b>	REV: <b>A3</b>
		16<L≤63 ±0.3		DRAWN: <b>XU ZHAN</b>		CHECK: <b>DAVID</b>		APPROVED:

REV.	PORTION.	BEFORE REV.	AFTER REV.