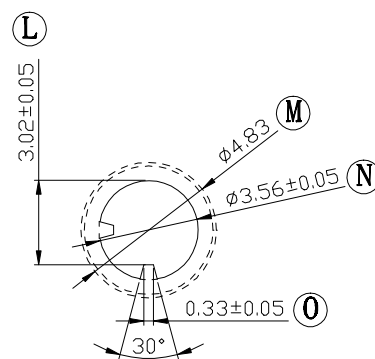
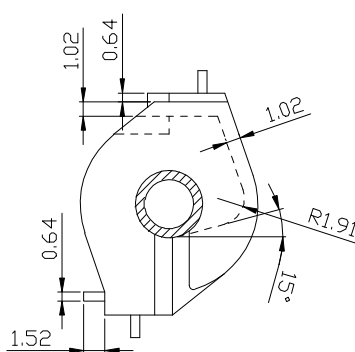
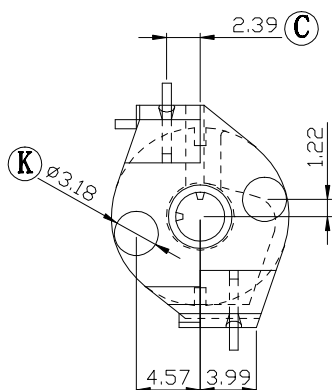
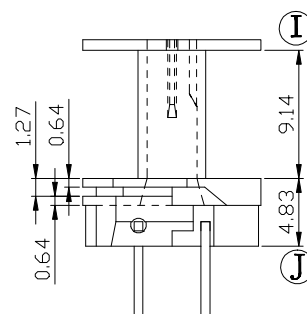
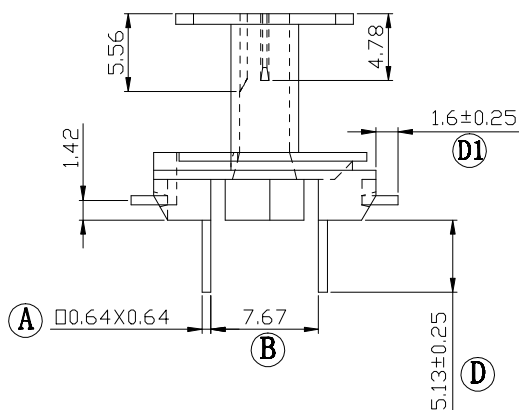
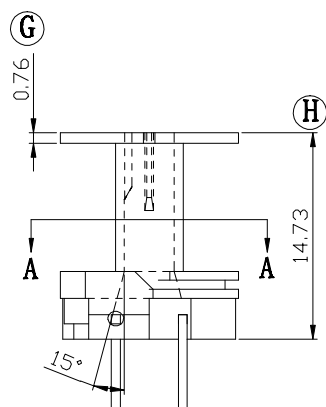
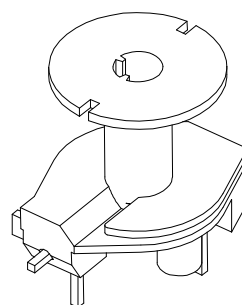
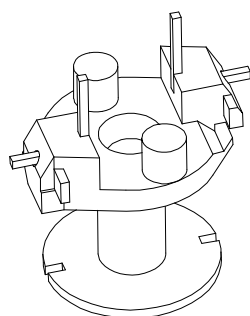
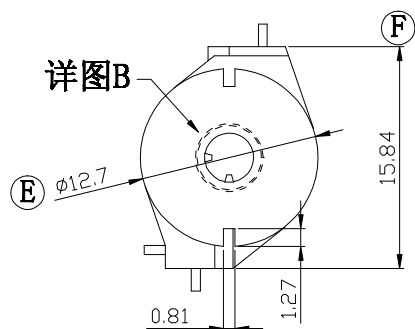



Build up your trust



A-A

详图B 2:1

TITLE:	ROD CORE	TOLERANCES		BOBBIN MATERIAL:	UL REC.
DRAWING NO:	GS-B020	±0.13	PIN PITCH ±0.2	NYLON FR50	
 <b>建信電子制品有限公司</b> GEMSTONE ELECTRONIC PRODUCTS CO., LTD. ADD: 廣東省東莞市石排鎮石崇大道 TEL: (0769) 86514918, 86514919 FAX: 86514878		UNIT:	SCALE:	ANGLE:	DATE:
		MM	2/1	±1°	2005/6/5
		DRAWN:	CHECK:	REV:	APPROVED:
		XU ZHAN	DAVID	A0	

REV.	PORTION.	BEFORE REV.	AFTER REV.