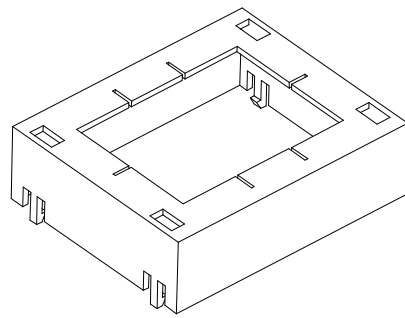
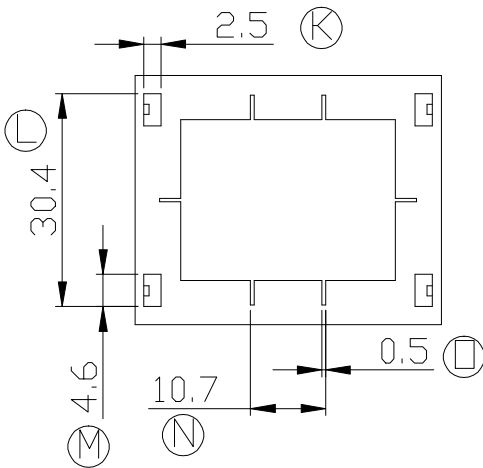
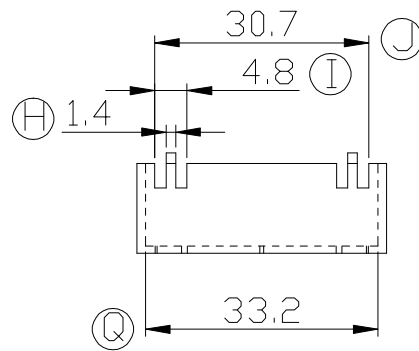
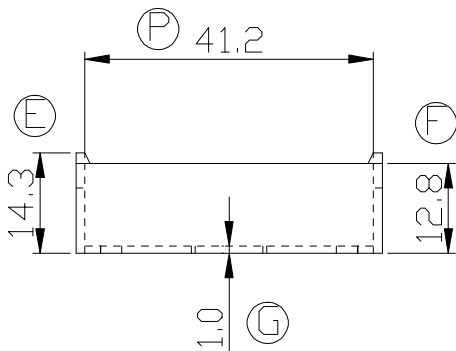
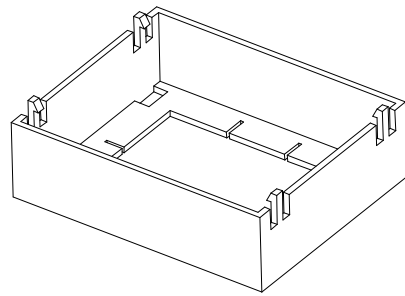
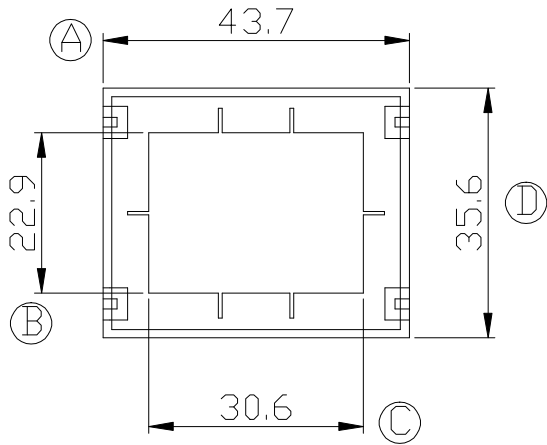



Build up your trust



TITLE:	EI-41 BASE		TOLERANCES		BOBBIN MATERIAL:		UL REC.
DRAWING NO:	GS-B021		0<L≤4 ±0.1	PIN PITCH ±0.2	PLASTIC 70G33L		UL 94HB
 建信電子制品有限公司 GEMSTONE ELECTRONIC PRODUCTS CO., LTD.			4<L≤16 ±0.2		PIN MATERIAL:		PIN TENSION LOAD:
			16<L≤63 ±0.3				
ADD: 廣東省東莞市石排鎮石崇大道 TEL: (0769) 86514918, 86514919 FAX: 86514878			UNIT:	SCALE:	ANGLE:	DATE:	REV:
			MM	1/1	±1°	2006/05/10	A2
			DRAWN:		CHECK:		APPROVED:
			HZ PING		XU ZHAN		

REV.	PORTION.	BEFORE REV.	AFTER REV.