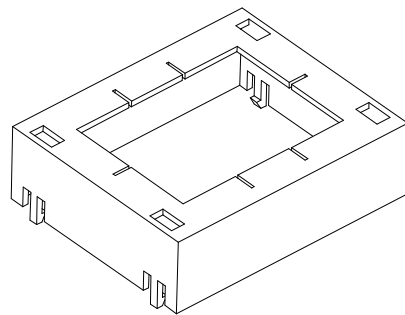
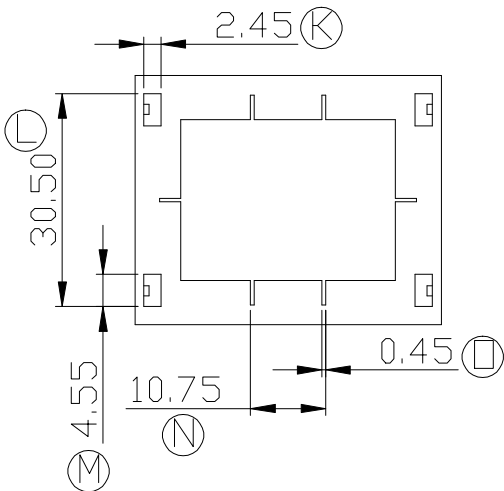
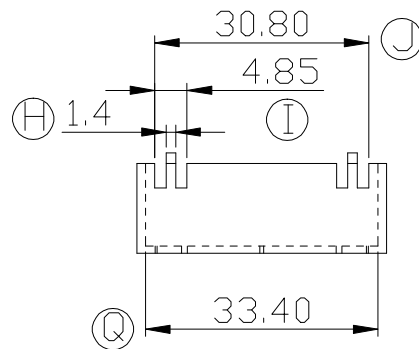
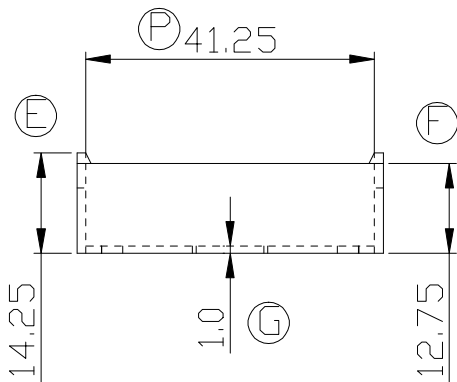
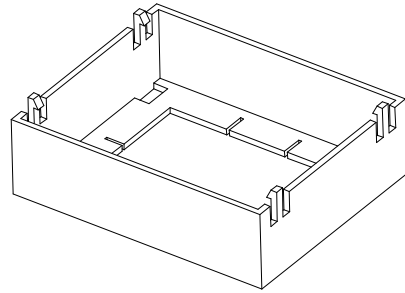
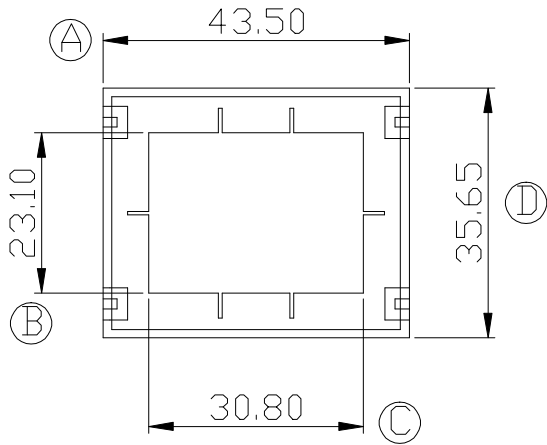



Build up your trust



TITLE:	EI-41 BASE		TOLERANCES	BOBBIN MATERIAL:	UL REC.
DRAWING NO:	GS-B021-1		$0 < L \leq 4 \pm 0.1$ $4 < L \leq 16 \pm 0.2$ $16 < L \leq 63 \pm 0.3$	PLASTIC 70G33HS1L	UL 94HB
 <b>建信電子制品有限公司</b> GEMSTONE ELECTRONIC PRODUCTS CO., LTD. ADD: 廣東省東莞市石排鎮石崇大道 TEL: (0769) 86514918, 86514919 FAX: 86514878			UNIT: MM	SCALE: 1/1	PIN MATERIAL:
			PIN PITCH $\pm 0.2$		ANGLE: $\pm 1^\circ$
			DRAWN: XU ZHAN	CHECK: XU ZHAN	REV: A0
					APPROVED:

REV.	PORTION.	BEFORE REV.	AFTER REV.