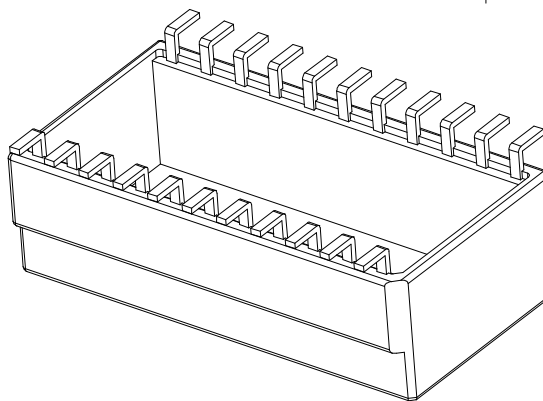
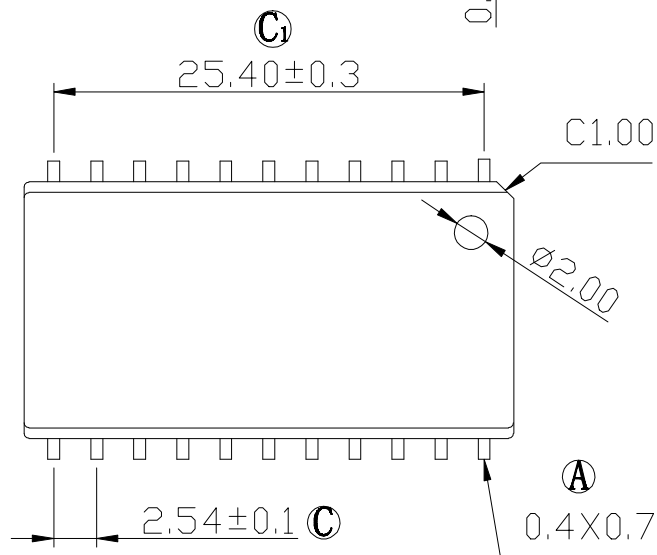
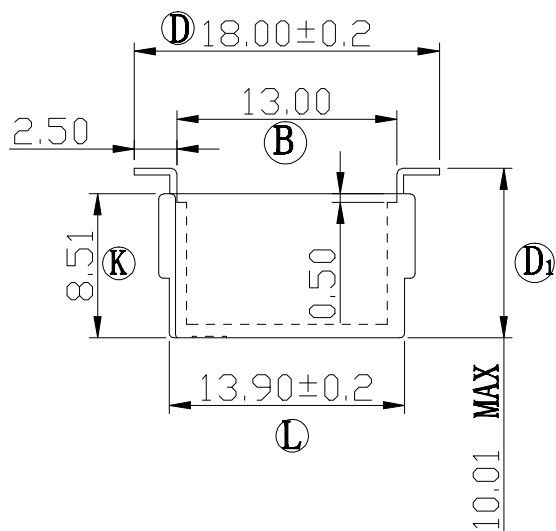
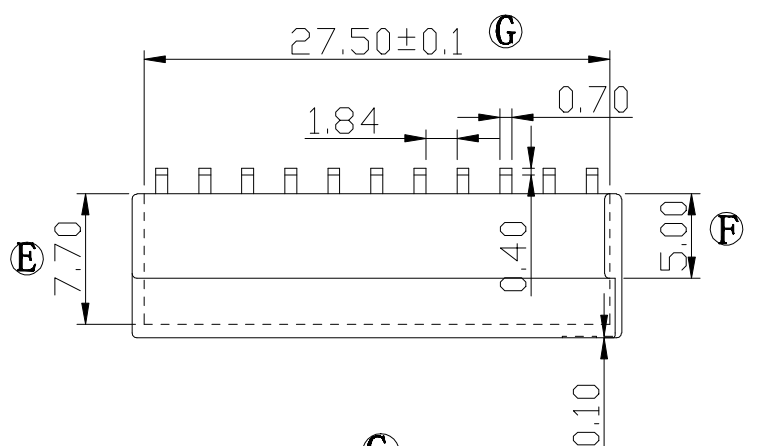
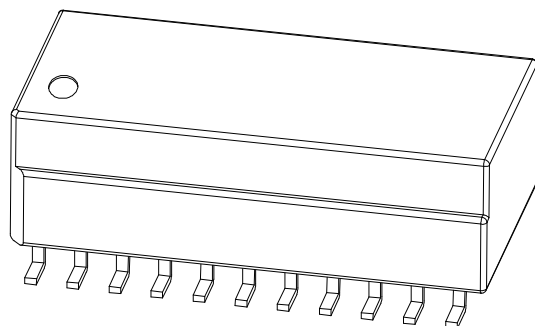
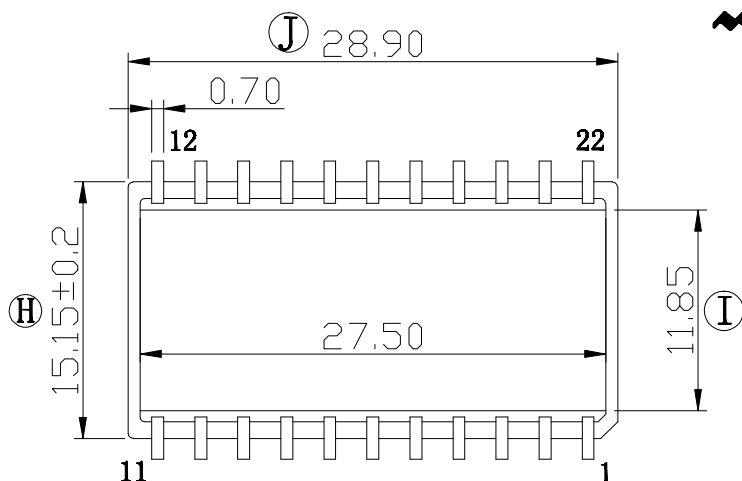



Build up your trust



TITLE:	HEADER 22PIN	TOLERANCES		BOBBIN MATERIAL:	UL REC.
DRAWING NO:	GS-B022	± 0.13		PET FR530 (NC)	UL 94V-0
 <b>建信電子制品有限公司</b> GEMSTONE ELECTRONIC PRODUCTS CO., LTD. ADD: 廣東省東莞市石排鎮石崇大道 TEL: (0769) 86514918, 86514919 FAX: 86514878		UNIT:	SCALE:	PIN MATERIAL:	PIN TENSION LOAD:
		MM	2/1	CP WIRE	1.2KG MIN
		DRAWN:	CHECK:	DATE:	REV:
		XU ZHAN	XU ZHAN	2007/12/15	A2
		APPROVED:			

REV.	PORTION.	BEFORE REV.	AFTER REV.