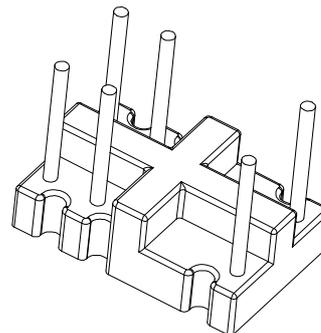
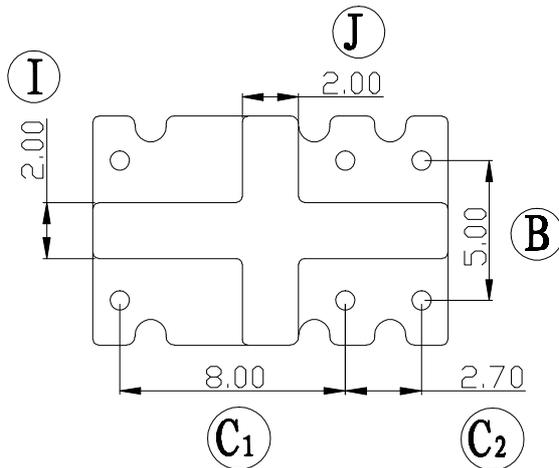
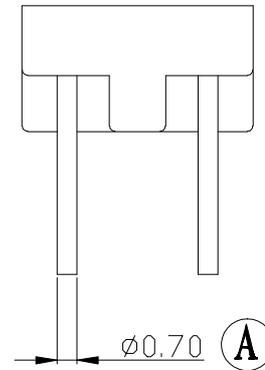
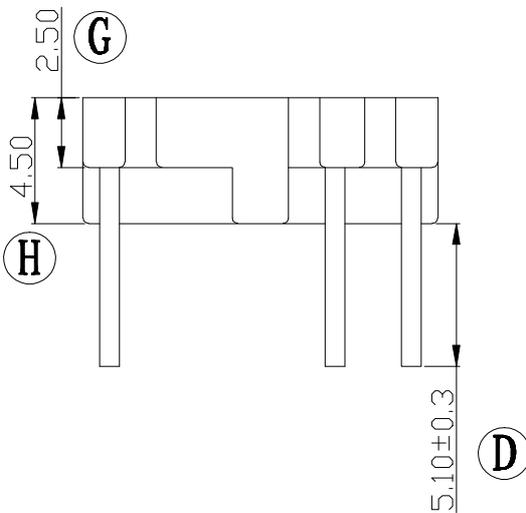
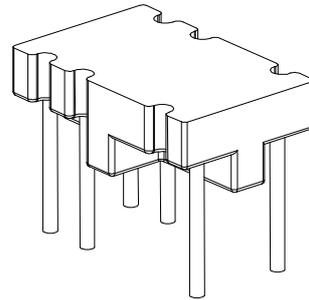
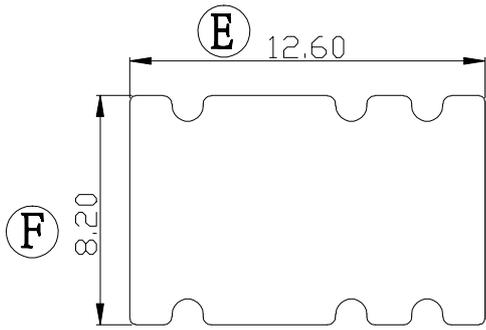


Build up your trust



TITLE: BOBBIN BASE (6PIN)	TOLERANCES		BOBBIN MATERIAL: PHENOLIC T375HF	UL REC. UL 94V-0
	0<L≦4 ±0.1 4<L≦16 ±0.2 16<L≦63 ±0.3	PIN PITCH ±0.2		PIN MATERIAL: CP WIRE
DRAWING NO: GS-B023	UNIT: MM	SCALE: 4/1	ANGLE: ±1°	DATE: 2008/02/27
 建信電子制品有限公司 GEMSTONE ELECTRONIC PRODUCTS CO., LTD. ADD: 廣東省東莞市石排鎮石崇大道 TEL: (0769) 86514918, 86514919 FAX: 86514878	DRAWN: XU ZHAN		CHECK: XU ZHAN	REV: A0
				APPROVED:

REV.	PORTION.	BEFORE REV.	AFTER REV.