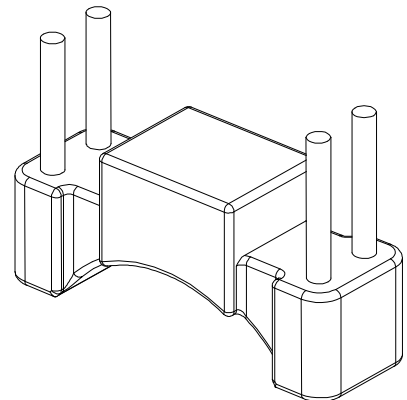
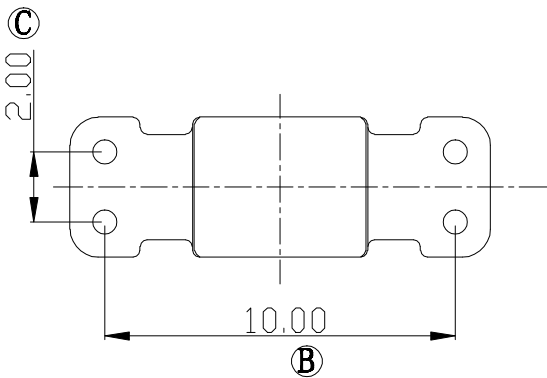
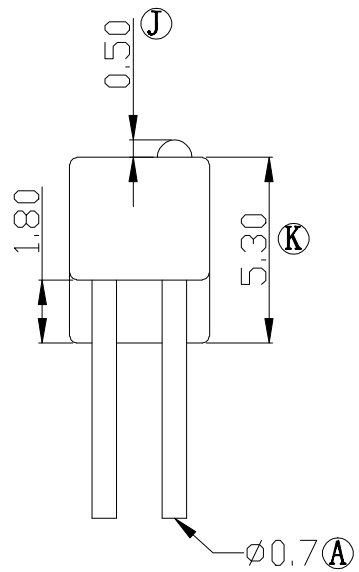
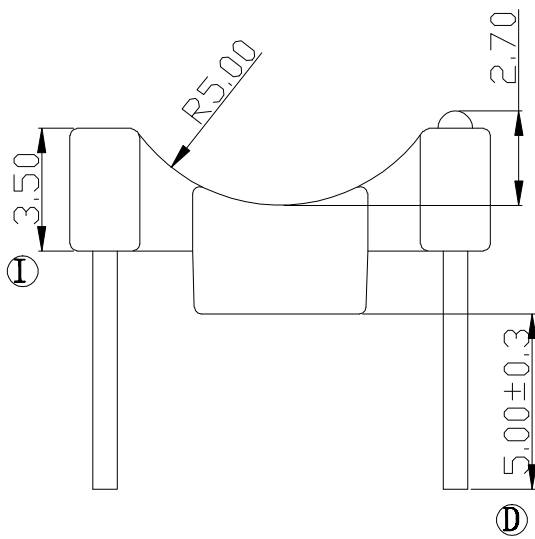
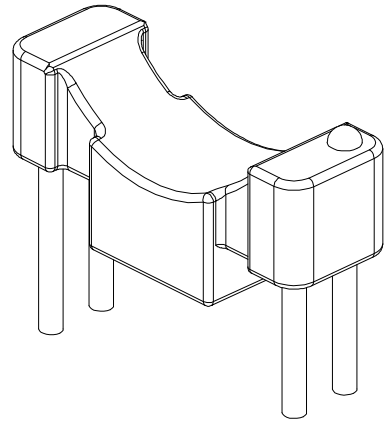
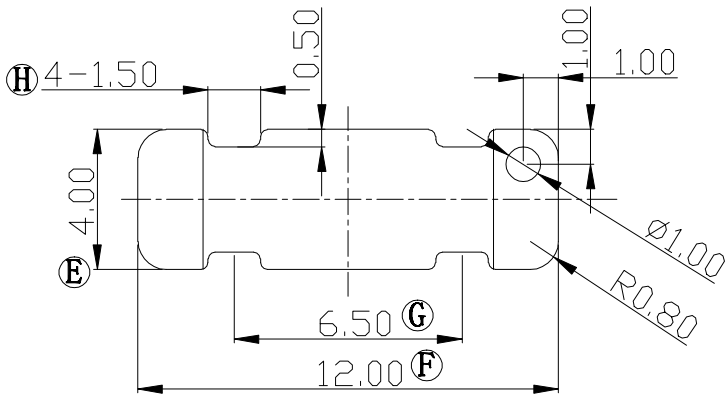


Build up your trust



TITLE: BASE (4PIN)		TOLERANCES		BOBBIN MATERIAL: PHENOLIC T375HF		UL REC. UL 94V-0	
DRAWING NO: GS-B025		0<L≦4 ±0.1	PIN PITCH ±0.2	PIN MATERIAL: CP WIRE		PIN TENSION LOAD: 1.0KG MIN	
		4<L≦16 ±0.2					
		16<L≦63 ±0.3					
UNIT: MM		SCALE: 5/1	ANGLE: ±1°	DATE: 2007/6/12	REV: A0		
DRAWN: Wang Ren Jun		CHECK: XU ZHAN		APPROVED:			



建信電子制品有限公司

GEMSTONE ELECTRONIC PRODUCTS CO., LTD.

ADD: 廣東省東莞市石排鎮石崇大道

TEL: (0769)86514918, 86514919 FAX: 86514878

REV.	PORTION.	BEFORE REV.	AFTER REV.