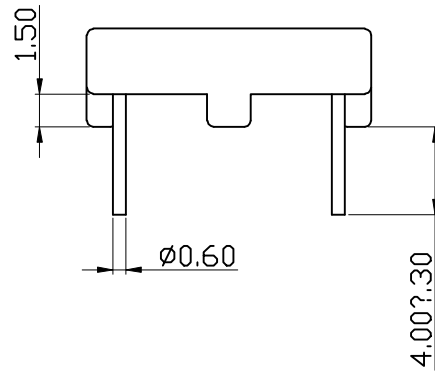
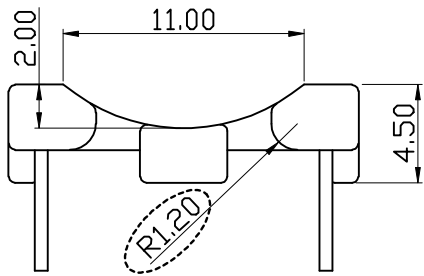
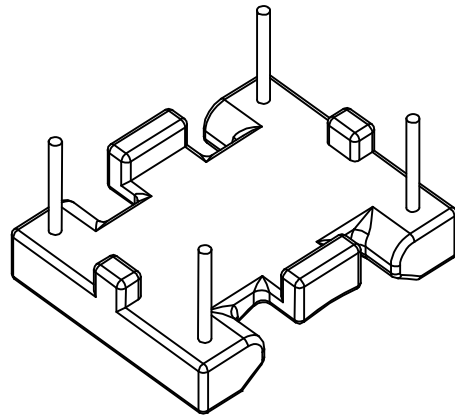
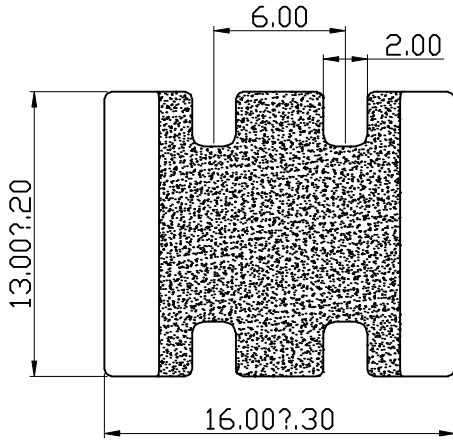
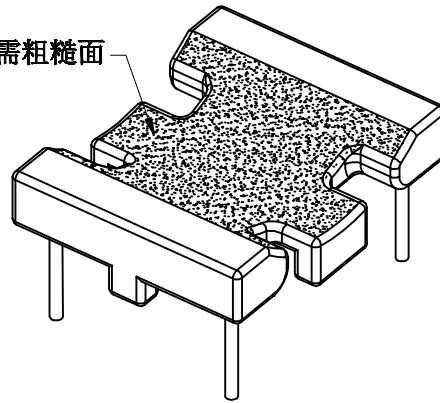
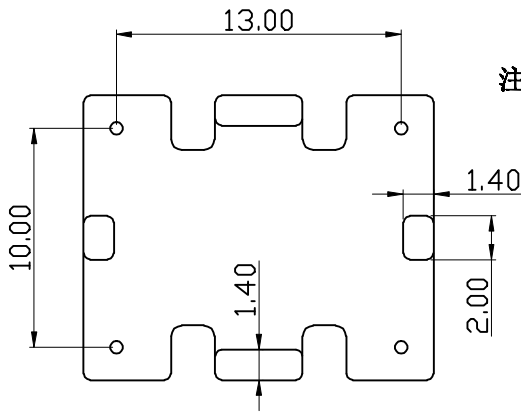



Build up your trust



注: PIN座側面四腳增加1.20mm圓弧

注: 產品此面需粗糙面



TITLE:	BASE 4PIN	TOLERANCES		BOBBIN MATERIAL:	UL REC.
DRAWING NO:	GS-B026	±0.13		T375J	UL 94V-0
 <b>建信電子制品有限公司</b> GEMSTONE ELECTRONIC PRODUCTS CO., LTD. ADD: 廣東省東莞市石排鎮石崇大道 TEL: (0769) 86514918, 86514919 FAX: 86514878	UNIT:	SCALE:	ANGLE:	DATE:	REV:
	MM	5/1	±1°	2013/5/8	A3
	DRAWN:		CHECK:		APPROVED:
XU ZHAN		XU ZHAN			

REV.	PORTION.	BEFORE REV.	AFTER REV.