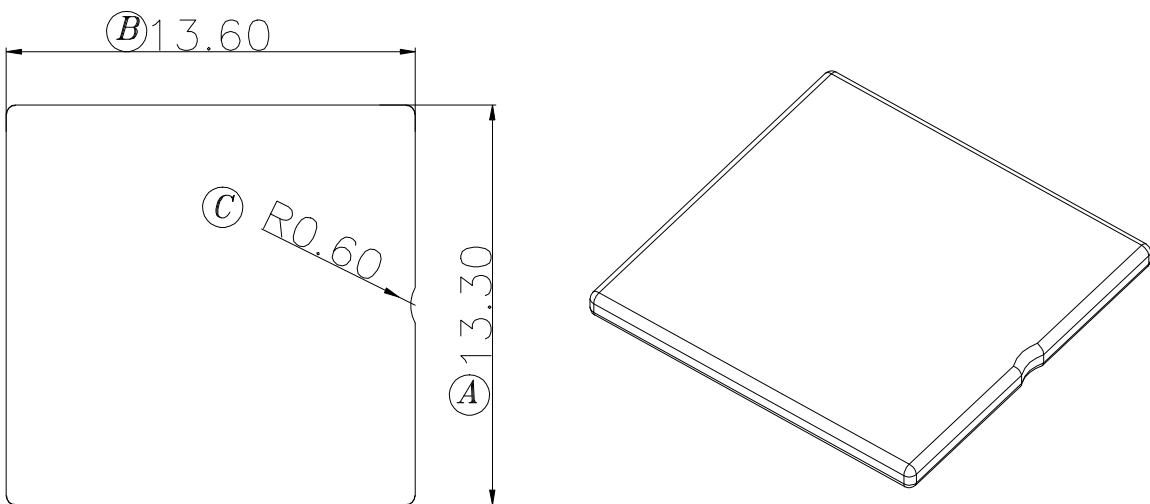
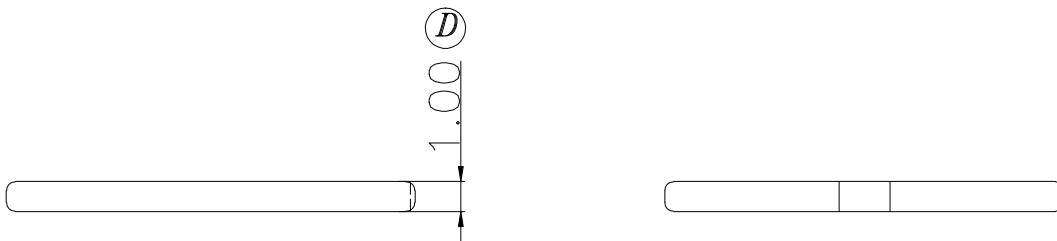
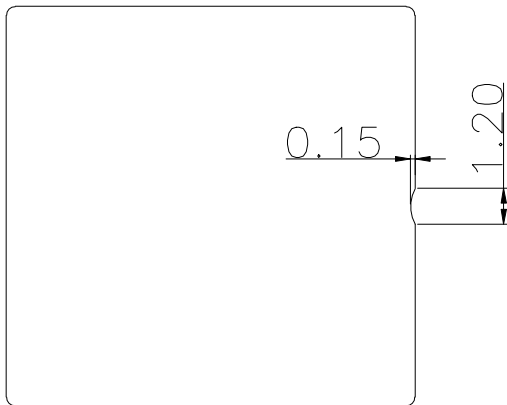



Build up your trust



TITLE: BASE-PFC1426/MS-2	TOLERANCES		BOBBIN MATERIAL: PM8375	UL REC. UL 94V-0		
DRAWING NO: GS-B030	0<L≤4 ±0.1	PIN PITCH ±0.1	PIN MATERIAL:	PIN TENSION LOAD:		
	4<L≤16 ±0.2					
	16<L≤63 ±0.3	UNIT: MM	SCALE: 4/1	ANGLE: ±1°	DATE: 2008/07/11	REV: A1
 <b>建信電子制品有限公司</b> GEMSTONE ELECTRONIC PRODUCTS CO., LTD.		DRAWN: LW	CHECK: XU ZHAN	APPROVED:		

REV.	PORTION.	BEFORE REV.	AFTER REV.