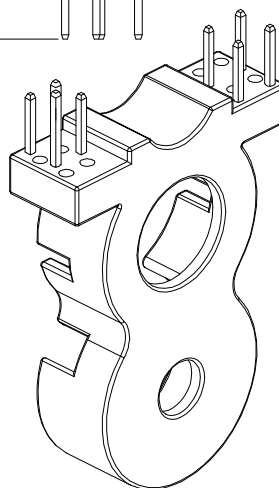
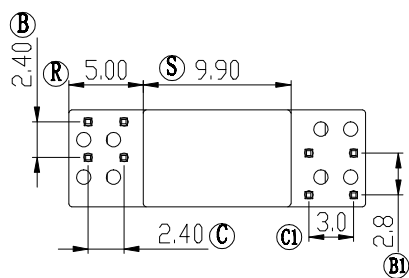
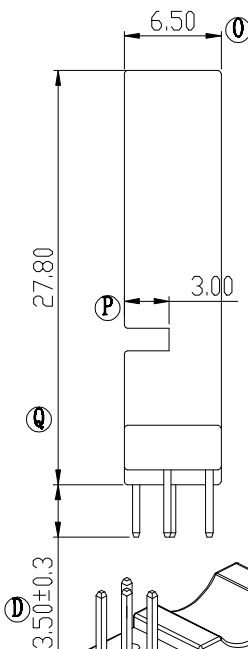
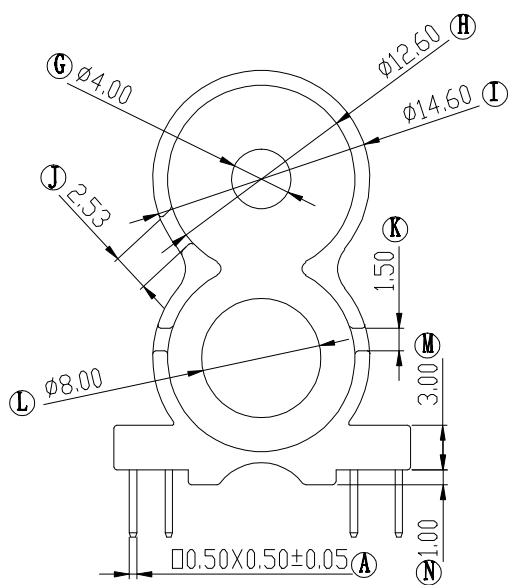
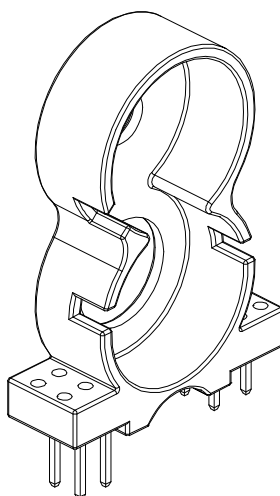
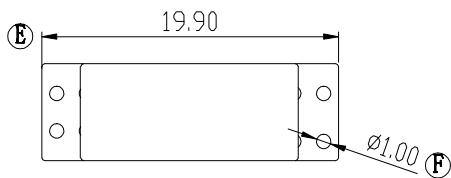




Build up your trust



TITLE: BASE 8PIN

DRAWING NO: GS-B033



建信電子制品有限公司

GEMSTONE ELECTRONIC PRODUCTS CO., LTD.

ADD: 廣東省東莞市石排鎮石崇大道
TEL: (0769) 86514918, 86514919 FAX: 86514878

TOLERANCES

0$L \le 4$ ± 0.1
4$L \le 16$ ± 0.2
16$L \le 63$ ± 0.3

PIN PITCH
 ± 0.2

BOBBIN MATERIAL:

PET FR530(BK)

PIN MATERIAL:

HALF HARD BRASS

UL REC:

UL 94V-0

PIN TENSION LOAD:

1.0KG MIN

UNIT:

MM

SCALE:

2/1

ANGLE:

$\pm 1^\circ$

DATE:

2010/1/6

REV:

A0

DRAWN:

LW

CHECK:

XU ZHAN

APPROVED:

BEFORE REV.

AFTER REV.