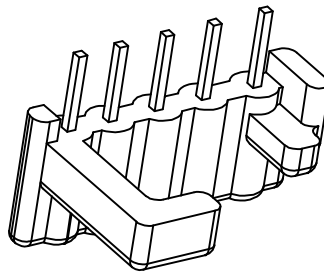
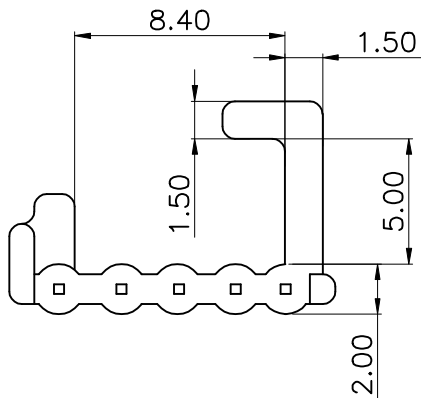
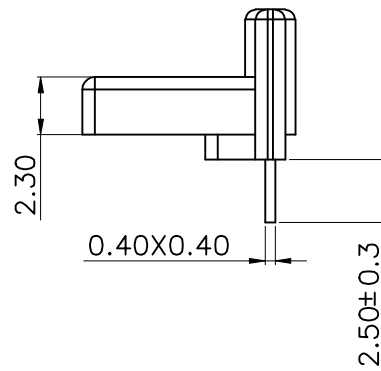
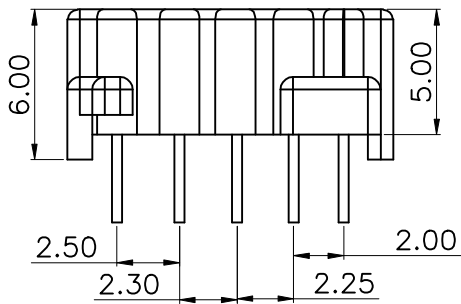
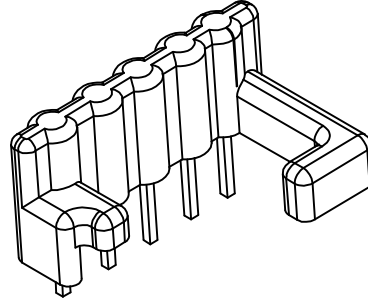
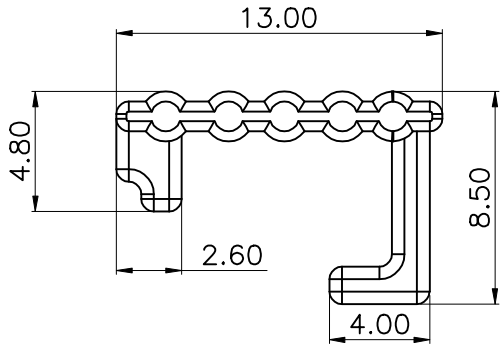



Build up your trust



TITLE: BASE 5PIN	TOLERANCES		BOBBIN MATERIAL: PA66 1300G	UL REC: UL 94HB
	0<L≦4 ±0.1	PIN PITCH		
DRAWING NO: GS-B034	4<L≦16 ±0.2	±0.2		
 建信電子制品有限公司 GEMSTONE ELECTRONIC PRODUCTS CO., LTD. ADD: 廣東省東莞市石排鎮石崇大道 TEL: (0769)86514918, 86514919 FAX:86514878	UNIT: MM	SCALE: 4/1	ANGLE: ±1°	DATE: 2011/09/20
	DRAWN: XU ZHAN		CHECK:	REV: A1
			CHECK:	APPROVED:

	BEFORE REV.	AFTER REV.