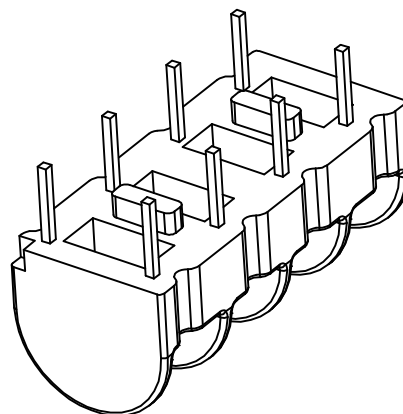
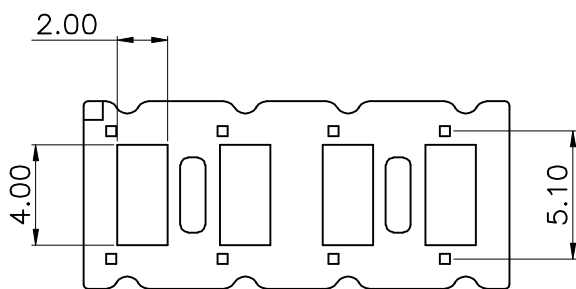
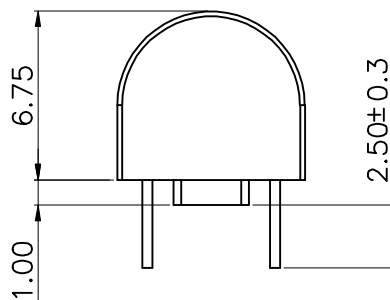
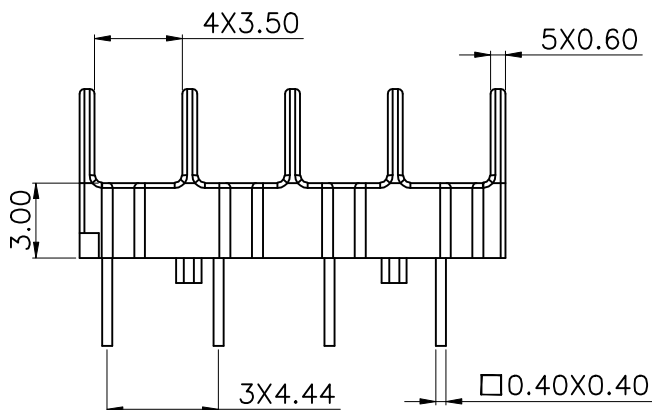
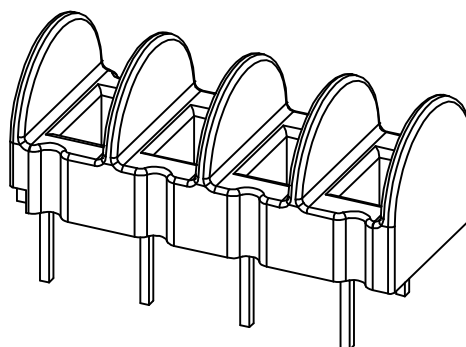
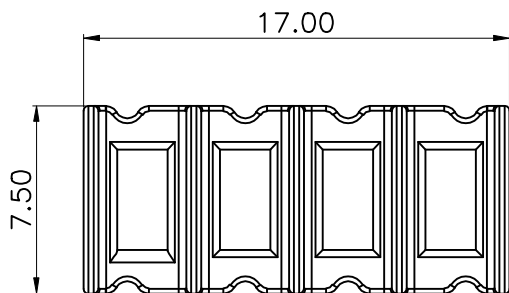



Build up your trust



TITLE: BASE 8PIN	TOLERANCES		BOBBIN MATERIAL: PA66 1300G	UL REC: UL 94HB
	0<L≦4 ±0.1 4<L≦16±0.2 16<L≦63±0.3	PIN PITCH ±0.2		PIN MATERIAL: CP WIRE
DRAWING NO: GS-B035	UNIT: MM	SCALE: 4/1	ANGLE: ±1°	DATE: 2009/12/02
 建信電子制品有限公司 GEMSTONE ELECTRONIC PRODUCTS CO., LTD. ADD: 廣東省東莞市石排鎮石崇大道 TEL: (0769)86514918, 86514919 FAX:86514878	DRAWN: XU ZHAN	CHECK:	REV: A0	APPROVED:

	BEFORE REV.	AFTER REV.