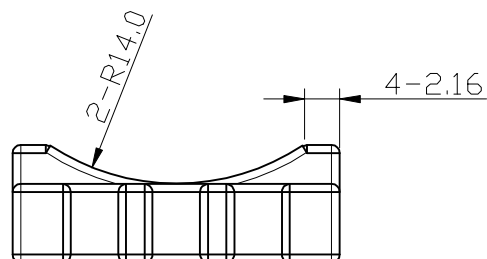
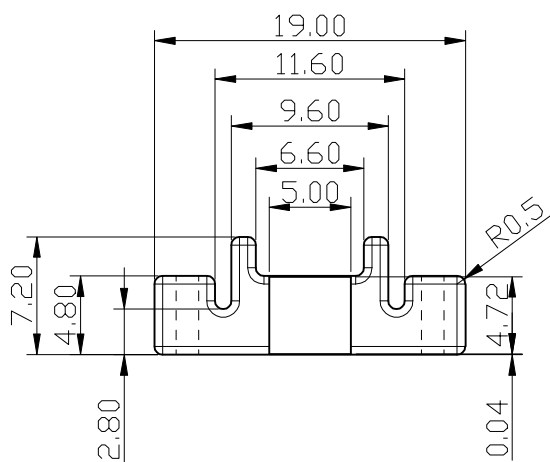
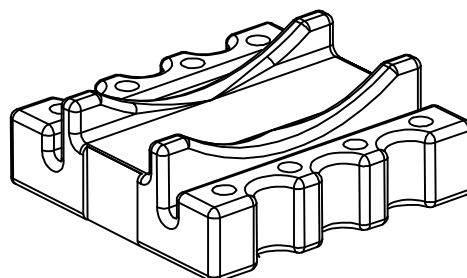
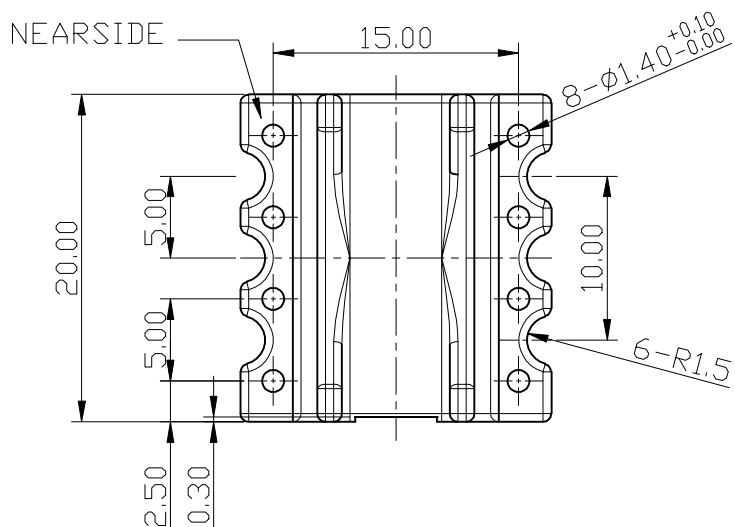



Build up your trust



TITLE: BASE		TOLERANCES		BOBBIN MATERIAL: T375HF (BK)		UL REC: UL 94V-0	
DRAWING NO: GS-B039		0.5<L≤3 ±0.1 3<L≤6 ±0.1 6<L≤30 ±0.2		PIN MATERIAL:		PIN TENSION LOAD:	
 建信電子制品有限公司 GEMSTONE ELECTRONIC PRODUCTS CO., LTD. ADD: 廣東省東莞市石排鎮石崇大道 TEL: (0769)86514918, 86514919 FAX:86514878		UNIT: MM	SCALE: 1/1	ANGLE: ±1°	DATE: 2012/06/11	REV: A0	
		DRAWN: LI SU MEI		CHECK: XU ZHAN		APPROVED:	

REV.	BEFORE REV.	AFTER REV.