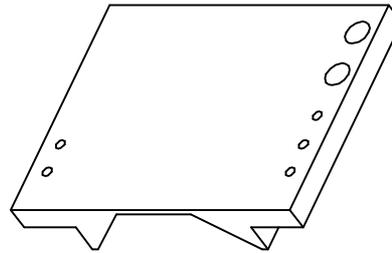
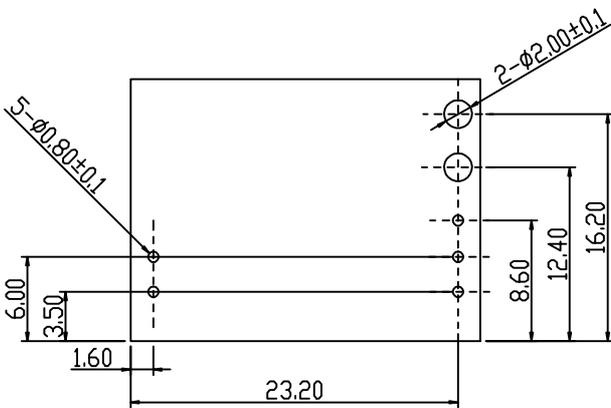
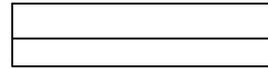
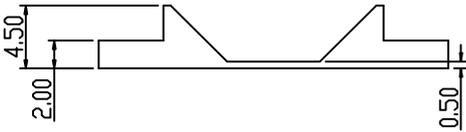
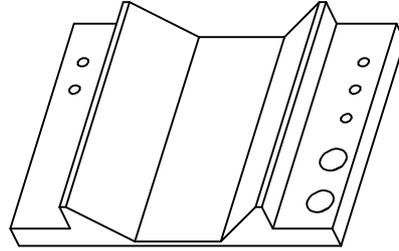
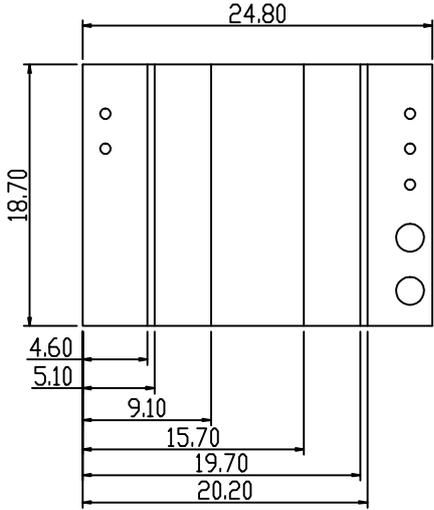


Build up your trust



TITLE: BASE		TOLERANCES		BOBBIN MATERIAL: PPS R-4-230 BK		UL REC: UL 94V-0	
DRAWING NO: GS-B041		±0.25		PIN MATERIAL:		PIN TENSION LOAD:	
 <b>建信電子制品有限公司</b> GEMSTONE ELECTRONIC PRODUCTS CO., LTD. ADD: 廣東省東莞市石排鎮石崇大道 TEL: (0769) 86514918, 86514919 FAX: 86514878		UNIT: MM	SCALE: 2/1	ANGLE: ±1°	DATE: 2011/6/17	REV: A0	
		DRAWN: QIU		CHECK: XU ZHAN		APPROVED:	

REV.	PORTION	REASON REV.	AFTER REV.