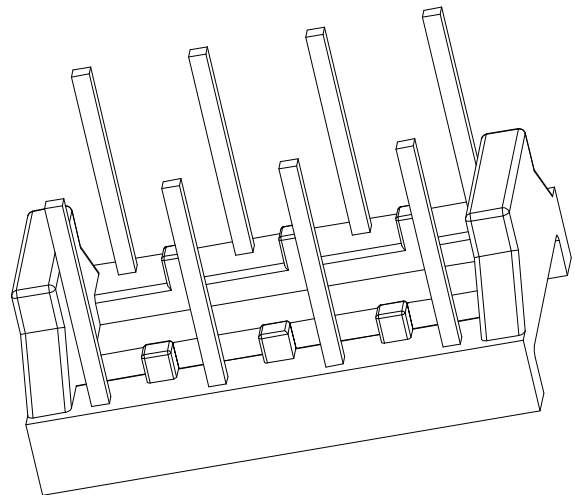
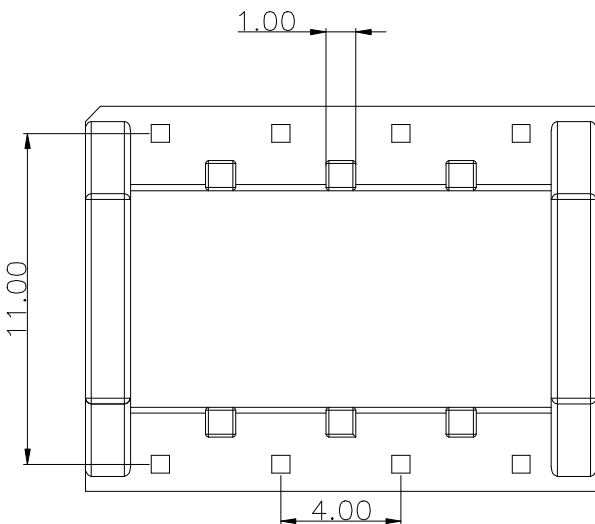
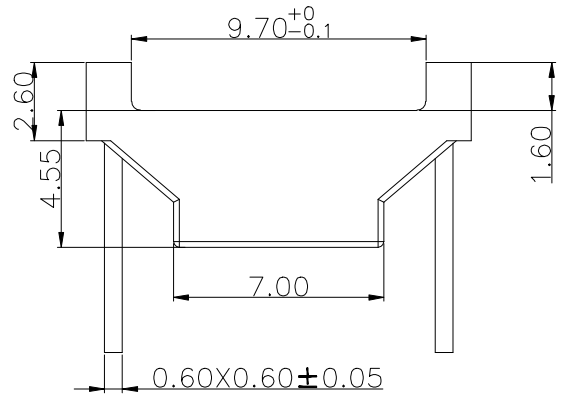
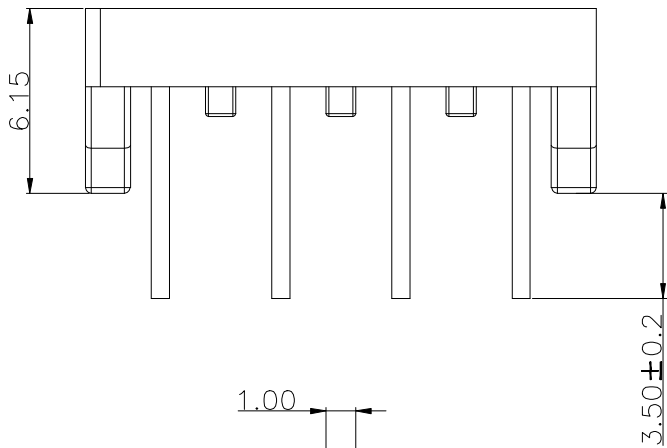
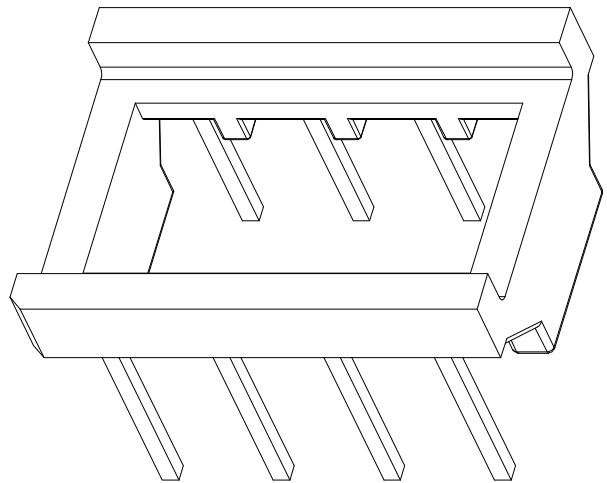
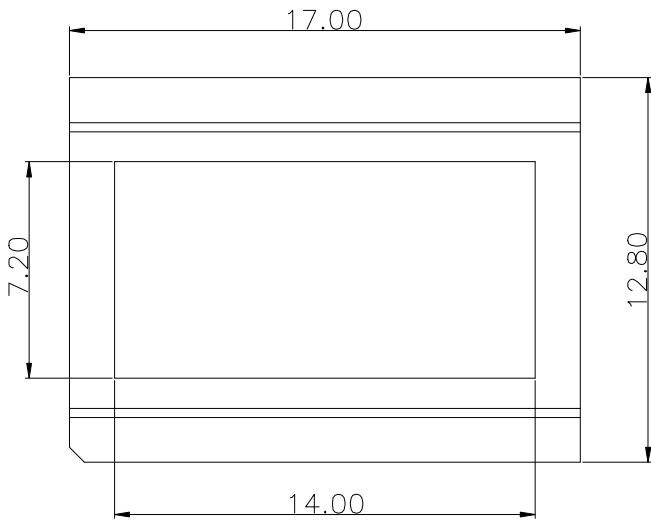



Build up your trust



TITLE: BASE 8PIN		TOLERANCES		BOBBIN MATERIAL: PM9820		UL REC. UL 94V-0	
DRAWING NO: GS-B043		0<L≤4 ±0.1	PIN PITCH ±0.2	PIN MATERIAL: CP WIRE		PIN TENSION LOAD: 1.0kg MIN	
		4<L≤16 ±0.2					
		16<L≤63 ±0.3					
 建信電子制品有限公司 GEMSTONE ELECTRONIC PRODUCTS CO., LTD.		UNIT: MM	SCALE: 4/1	ANGLE: ±1°	DATE: 2011/08/11	REV: A0	
		DRAWN: QIU		CHECK: XU ZHAN		APPROVED:	

REV.	PORTION.	BEFORE REV.	AFTER REV.