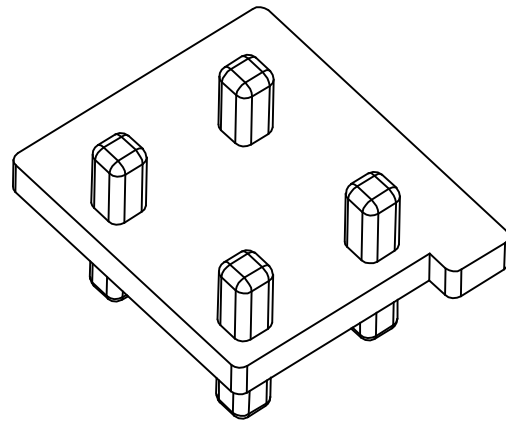
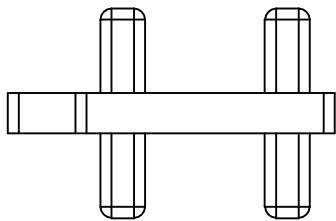
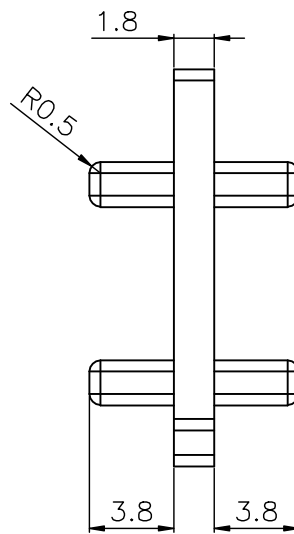
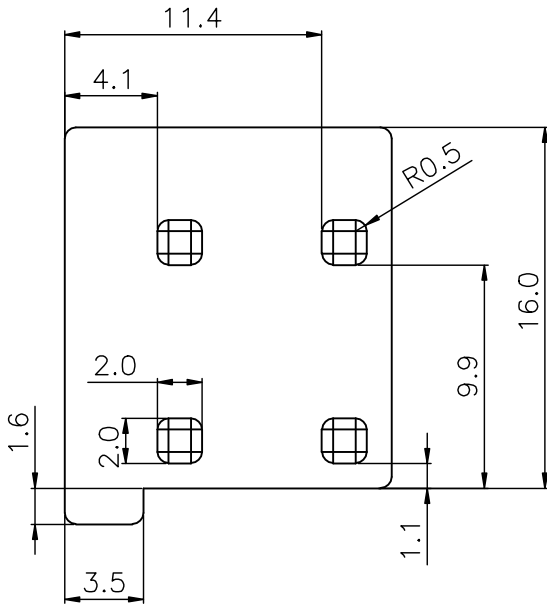
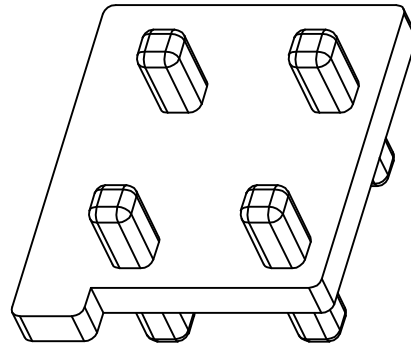
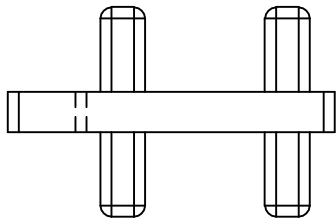


Build up your trust



|  |                   |                   |                       |                                   |                |                         |  |
|--|-------------------|-------------------|-----------------------|-----------------------------------|----------------|-------------------------|--|
| TITLE: <b>BASE</b>   |                   | TOLERANCES        |                       | BOBBIN MATERIAL: <b>PET FR530</b> |                | UL REC. <b>UL 94V-0</b> |  |
| DRAWING NO: <b>10008138 (GS-B044)</b>  |                   | <b>±0.1</b>       |                       | PIN MATERIAL:                     |                | PIN TENSION LOAD:       |  |
|  <b>建信電子制品有限公司</b><br>GEMSTONE ELECTRONIC PRODUCTS CO., LTD.<br>ADD: 廣東省東莞市石排鎮石崇大道<br>TEL: (0769)86514918, 86514919 FAX:86514878 | UNIT: <b>MM</b>   | SCALE: <b>3/1</b> | ANGLE: <b>±1°</b>     | DATE: <b>2011/09/03</b>           | REV: <b>A0</b> |                         |  |
|  | DRAWN: <b>QIU</b> |                   | CHECK: <b>XU ZHAN</b> |                                   | APPROVED:      |                         |  |

| REV. | PORTION. | BEFORE REV. | AFTER REV. |
|------|----------|-------------|------------|
|      |          |             |            |
|      |          |             |            |
|      |          |             |            |