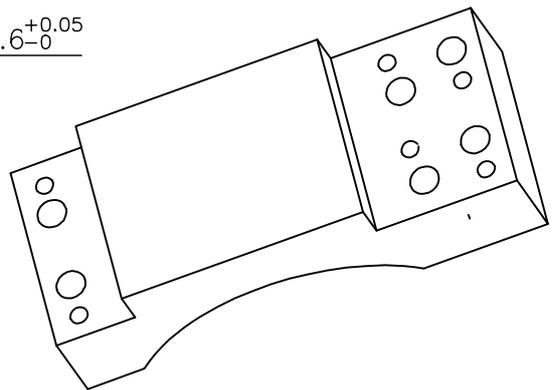
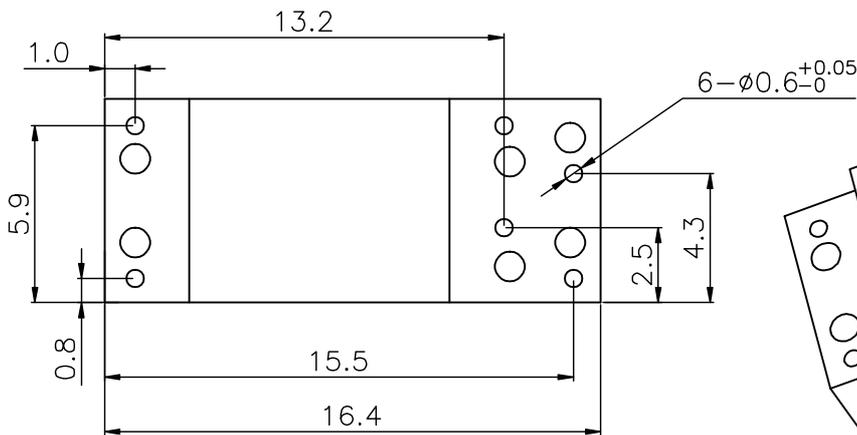
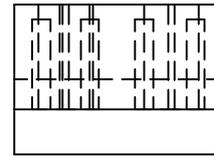
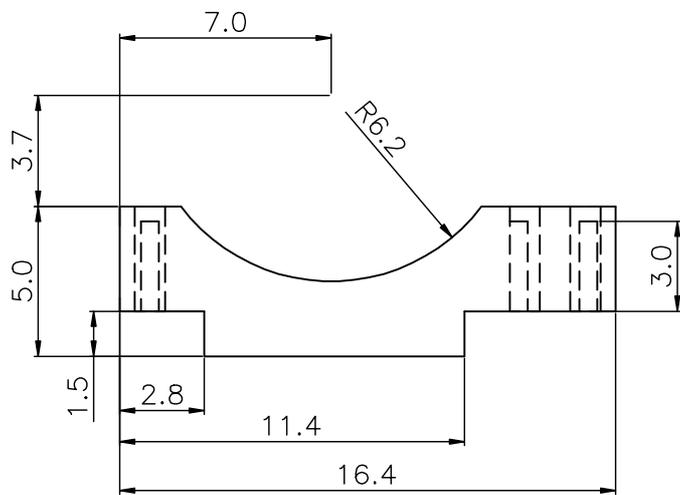
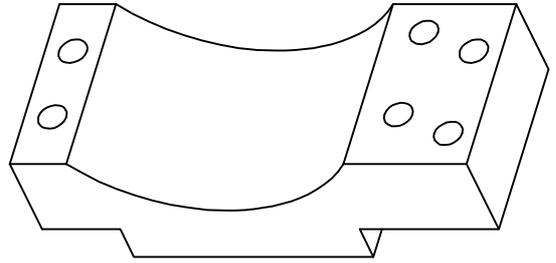
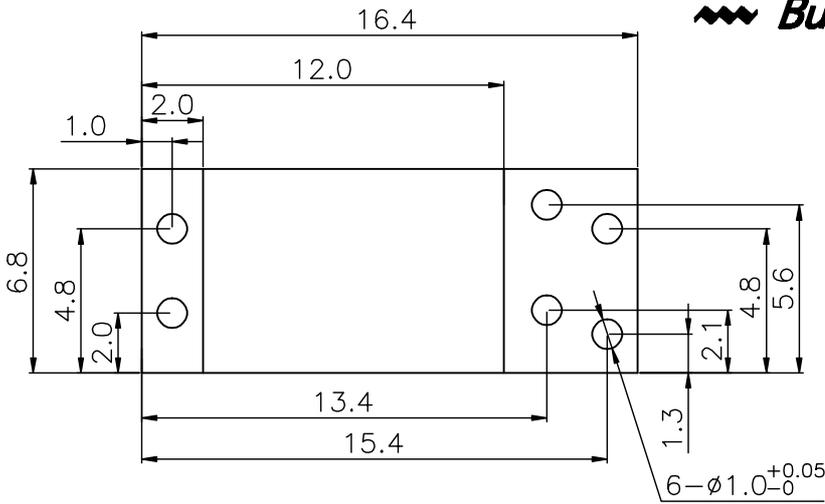


Build up your trust



TITLE: BASE		TOLERANCES		BOBBIN MATERIAL: PPS R4		UL REC. UL 94V-0	
DRAWING NO: 10008646 (GS-B045)		±0.1		PIN MATERIAL:		PIN TENSION LOAD:	
 <b>建信電子制品有限公司</b> GEMSTONE ELECTRONIC PRODUCTS CO., LTD. ADD: 廣東省東莞市石排鎮石崇大道 TEL: (0769)86514918, 86514919 FAX:86514878	UNIT: MM	SCALE: 4/1	ANGLE: ±1°	DATE: 2011/09/02	REV: A0		
	DRAWN: XU ZHAN		CHECK: XU ZHAN		APPROVED:		

REV.	PORTION.	BEFORE REV.	AFTER REV.