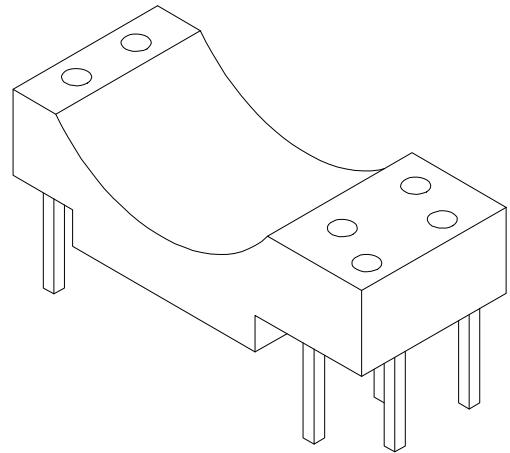
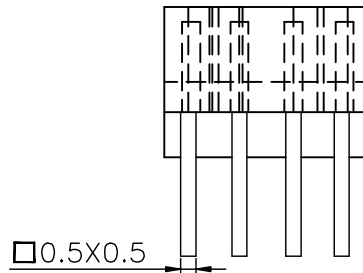
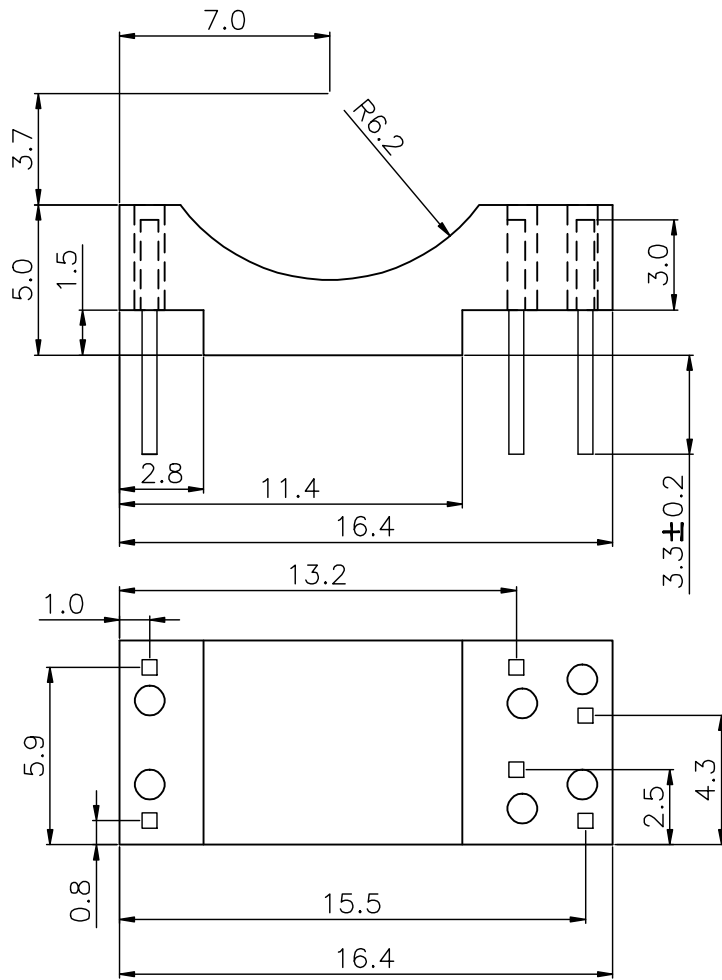
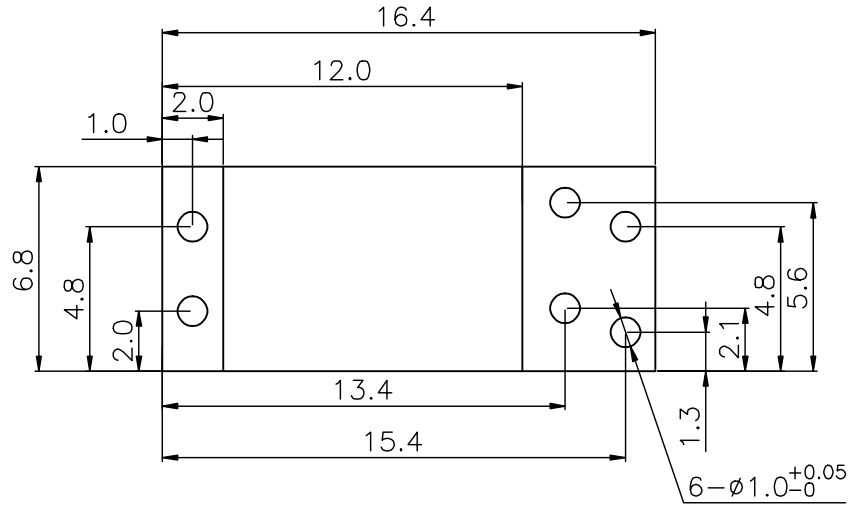


Build up your trust



TITLE: <b>BASE 6PIN</b>		TOLERANCES		BOBBIN MATERIAL: PET FR530 BK		UL REC. UL 94V-0	
DRAWING NO: GS-B045-1		±0.1		PIN MATERIAL: PHOSPHOR BRONZE		PIN TENSION LOAD: 1.0kg MIN	
<b>建信電子制品有限公司</b> GEMSTONE ELECTRONIC PRODUCTS CO., LTD. ADD: 廣東省東莞市石排鎮石崇大道 TEL: (0769)86514918, 86514919 FAX:86514878	UNIT: MM	SCALE: 4/1	ANGLE: ±1°	DATE: 2011/10/14	REV: A0		
	DRAWN: XU ZHAN		CHECK: XU ZHAN		APPROVED:		

REV.	PORTION.	BEFORE REV.	AFTER REV.