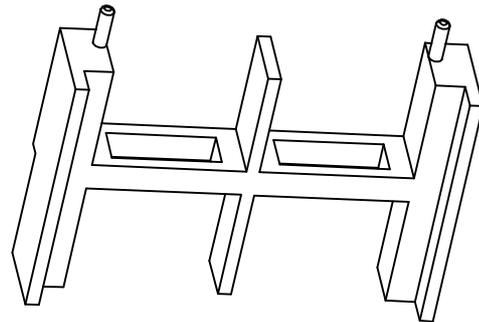
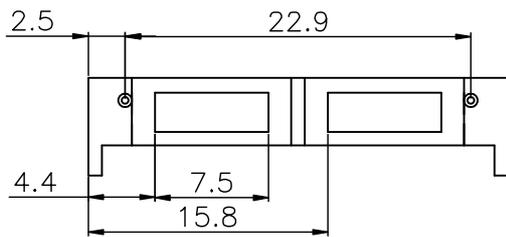
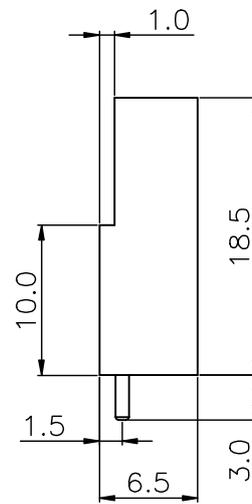
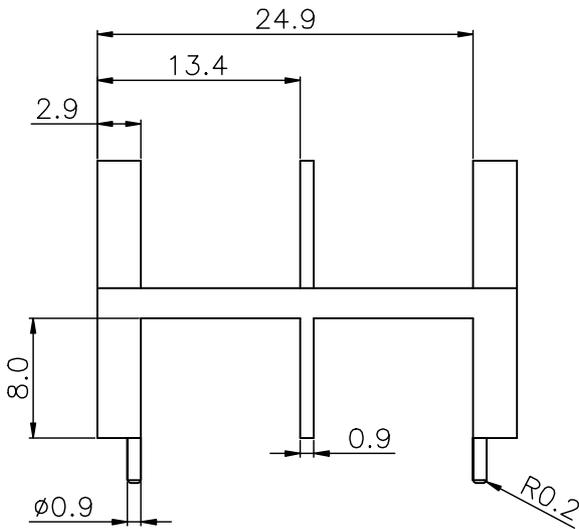
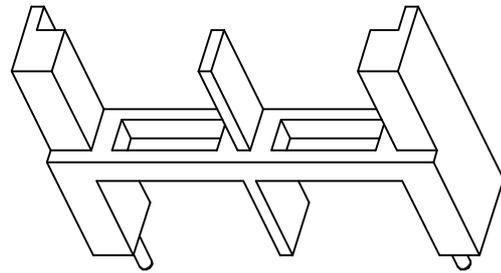
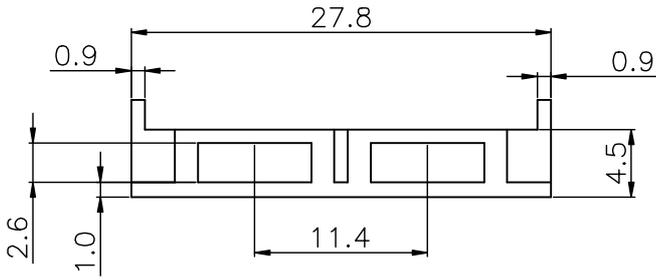


Build up your trust



TITLE: BASE		TOLERANCES		BOBBIN MATERIAL: PET FR530		UL REC. 94 V-0	
DRAWING NO: 10008145 (GS-B048)		±0.1		PIN MATERIAL:		PIN TENSION LOAD:	
 建信電子制品有限公司 GEMSTONE ELECTRONIC PRODUCTS CO., LTD. ADD: 廣東省東莞市石排鎮石崇大道 TEL: (0769)86514918, 86514919 FAX:86514878	UNIT: MM	SCALE: 2/1	ANGLE: ±1°	DATE: 2011/09/03	REV: A0		
	DRAWN: QIU		CHECK: XU ZHAN		APPROVED:		

REV.	PORTION.	BEFORE REV.	AFTER REV.