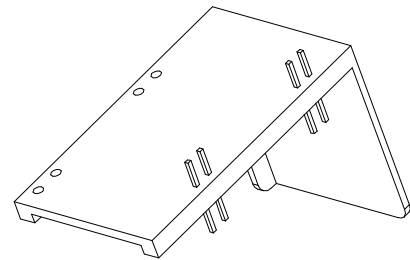
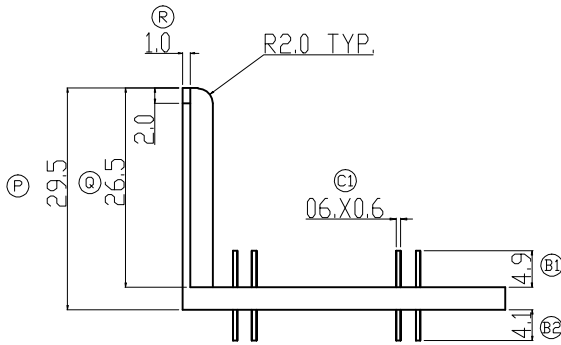
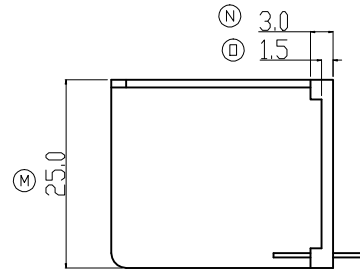
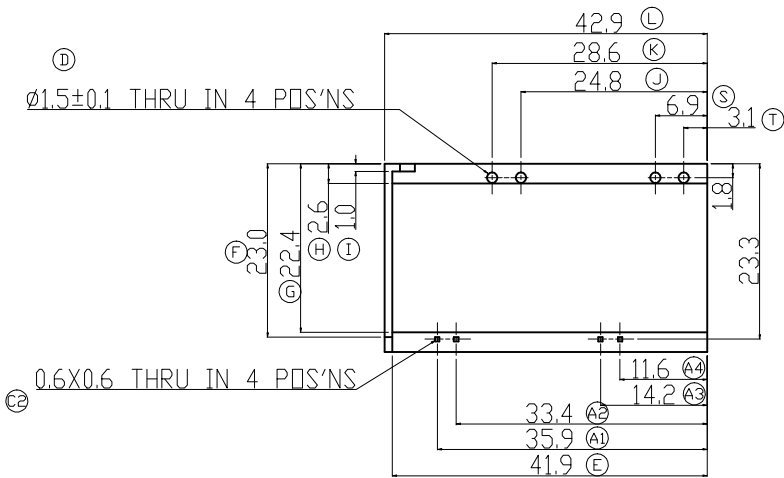
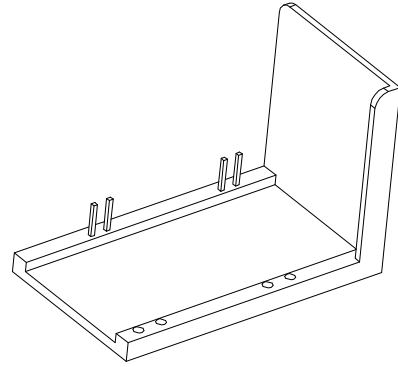
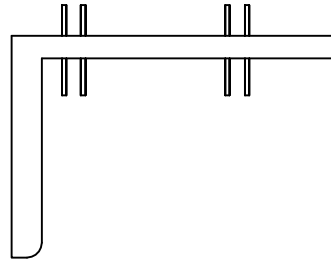


Build up your trust



TITLE: PFC BASE PQX4		TOLERANCES		BOBBIN MATERIAL: PPS R4		UL REC. UL 94V-0	
DRAWING NO: GS-B051		± 0.25		PIN MATERIAL: PHOSPHOR BRONZE		PIN TENSION LOAD:	
建信電子制品有限公司 GEMSTONE ELECTRONIC PRODUCTS CO., LTD. ADD: 廣東省東莞市石排鎮石崇大道 TEL: (0769)86514918, 86514919 FAX: 86514878		UNIT: MM	SCALE: 1/1	ANGLE: $\pm 1^\circ$	DATE: 2012/2-28	REV: AO	
		DRAWN: MENG JUN HUA		CHECK: SUN KE		APPROVED: XU ZHAN	

REV.	PORTION	BEFORE REV.	AFTER REV.