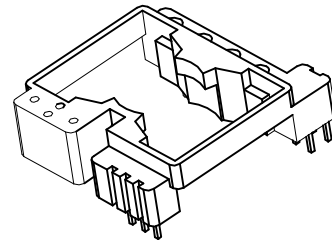
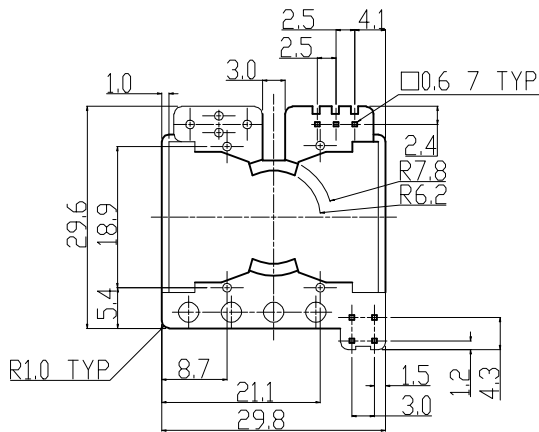
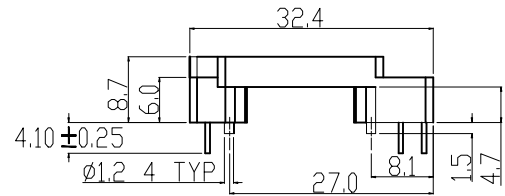
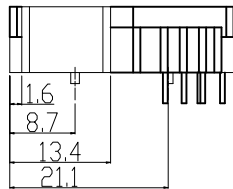
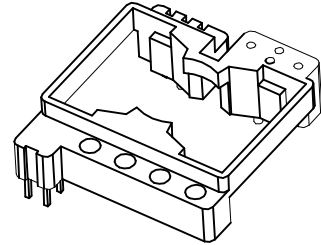
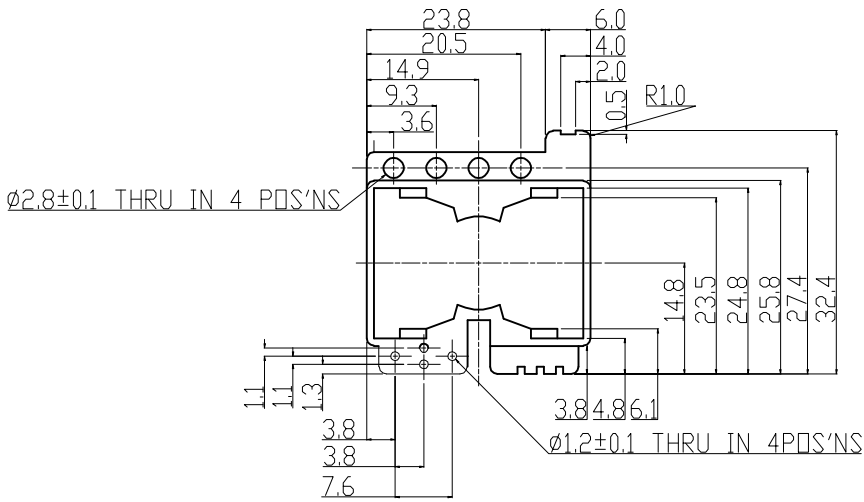


Build up your trust



TITLE:	BOBBIN MOULDING	TOLERANCES		BOBBIN MATERIAL:	UL REC.
DRAWING NO:	GS-B052	± 0.25	PIN PITCH ± 0.2	PPS R4	UL 94V-0
 建信電子制品有限公司 GEMSTONE ELECTRONIC PRODUCTS CO., LTD. ADD: 廣東省東莞市石排鎮石崇大道 TEL: (0769)86514918, 86514919 FAX: 86514878	UNIT:	SCALE:	ANGLE:	DATE:	REV:
	MM	1/1	$\pm 1^\circ$	2012/2-28	AO
DRAWN:			CHECK:	APPROVED:	
MENG JUN HUA			SUN KE	XU ZHAN	

REV.	PORTION	BEFORE REV.	AFTER REV.