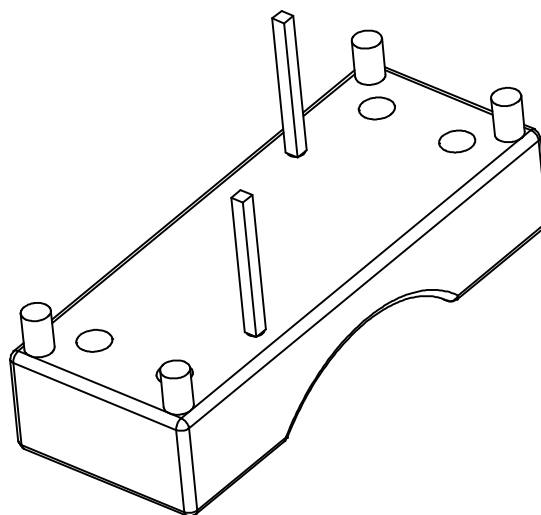
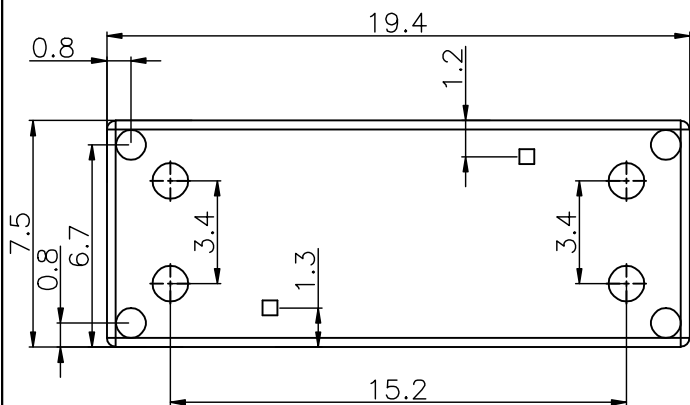
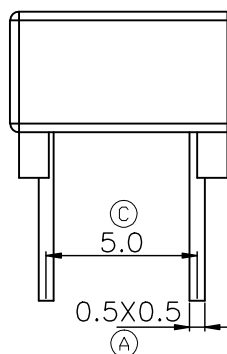
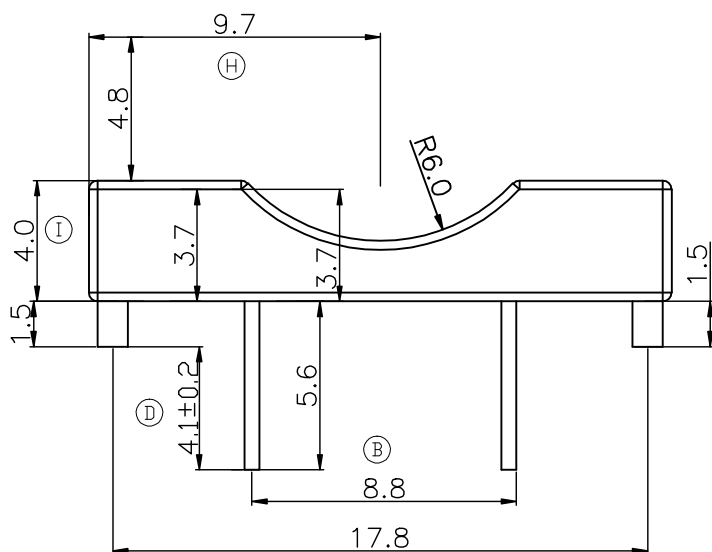
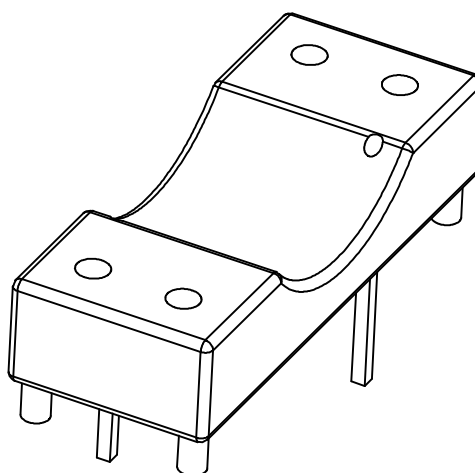
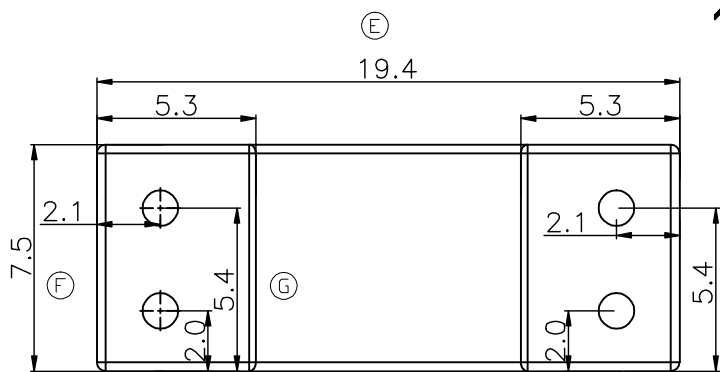



Build up your trust



TITLE: BASE 2PIN		TOLERANCES		BOBBIN MATERIAL: PET FR530 BK		UL REC. UL 94V-0		
DRAWING NO: GS-B055		±0.1		PIN MATERIAL: PHOSPHOR BRONZE		PIN TENSION LOAD: 1.0kg MIN		
 建信電子制品有限公司 GEMSTONE ELECTRONIC PRODUCTS CO., LTD. ADD: 廣東省東莞市石排鎮石崇大道 TEL: (0769)86514918, 86514919 FAX:86514878	UNIT:	SCALE:	ANGLE:	DATE:	REV:			
		MM	4/1	±1°	2012/06/03	A0		
	DRAWN:		CHECK:		APPROVED:			
		XU ZHAN		XU ZHAN				

REV.	PORTION.	BEFORE REV.	AFTER REV.