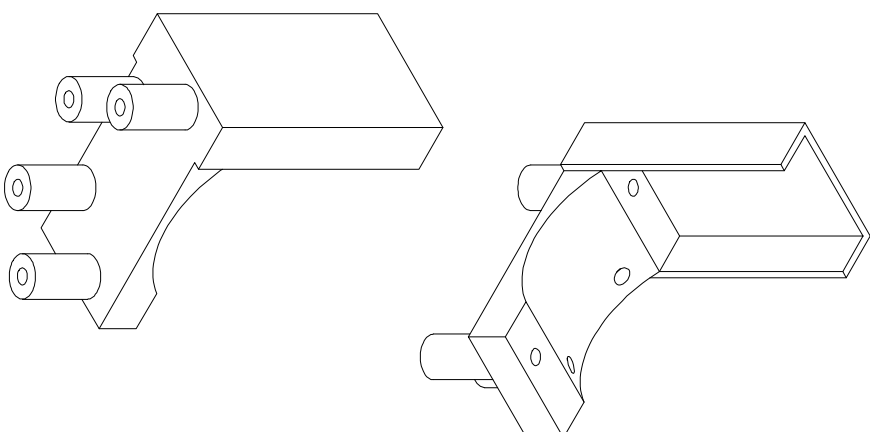
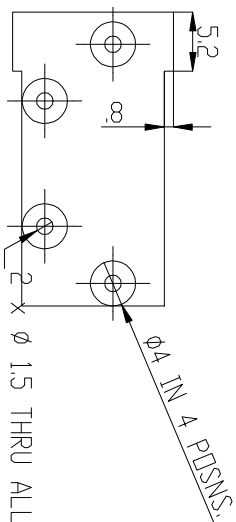
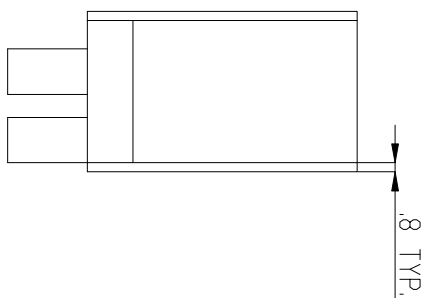
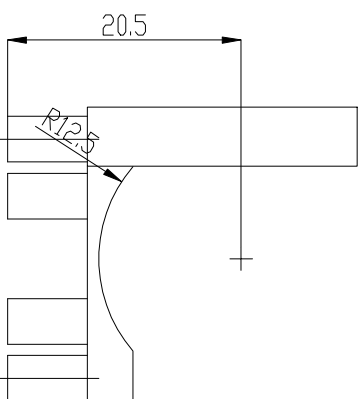
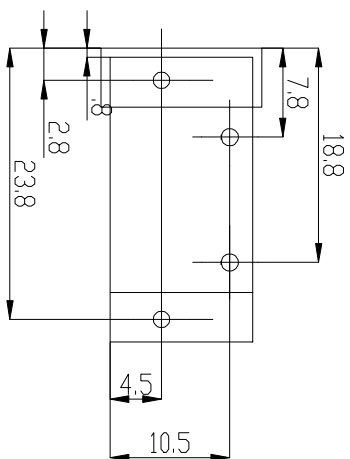
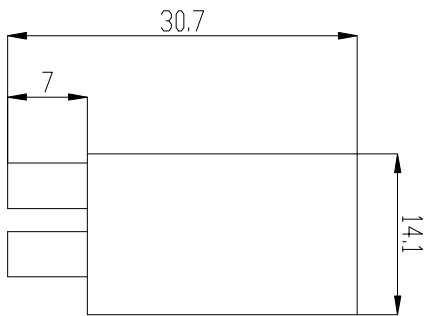


Build up your trust



TITLE: BASE EMH 350(10014100)		TOLERANCES		BORING MATERIAL: PPS BM		DI. REG. DL 2011-0	
DRAWING NO: GS-B057		DATE: 2013-01-19		PIN MATERIAL: PPS BM		PIN TOLERANCE LAMB: 1.000	
GEMSTONE 建信電子制品有限公司 GEMSTONE ELECTRONIC PRODUCTS CO., LTD. ADD: 廣東省肇慶市石排鎮石橋大道 TEL: (0769) 86514918, 86514919 FAX: 86514878		DATE: 2013-01-19	SCALE: 1/1	AMC: ±1°	DATE: 2013-01-19	REV: A0	
DRW: L.K.L	CHK: X.Z	APP: A0					
REV:	PROJ: EMH	DRW: L.K.L	CHK: X.Z	APP: A0			