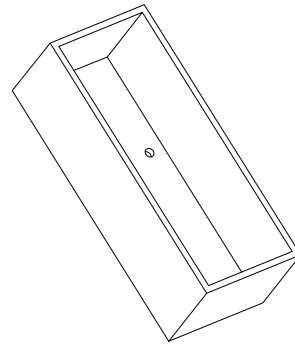
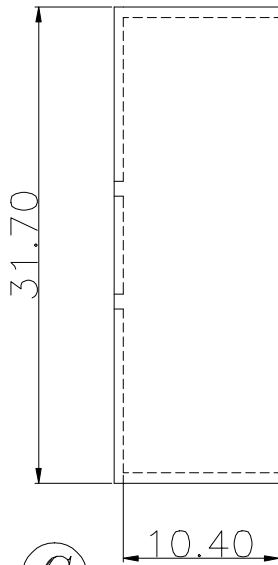


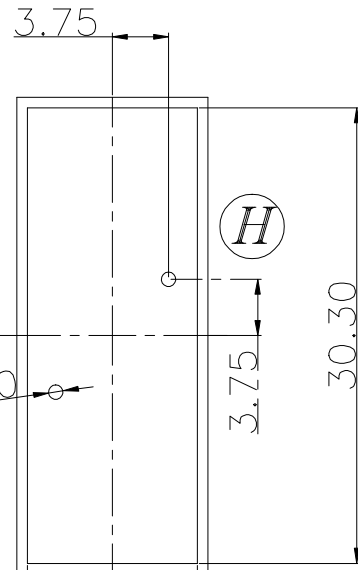
Build up your trust



(D)



(G)

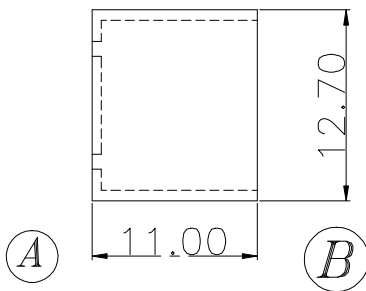


(I)

(F)

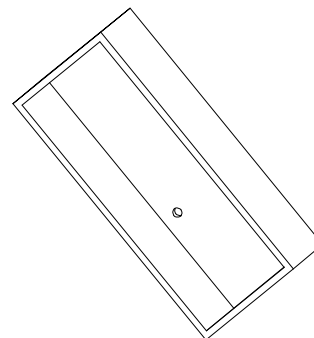
(E)


(C)



(A)

(B)



TITLE:	CASE		TOLERANCES		BOBBIN MATERIAL: T375HF		UL REC. UL 94V-0	
DRAWING NO:	GS-C003		0<L≤4 ±0.1	PIN PITCH ±0.2	PIN MATERIAL:		PIN TENSION LOAD:	
			4<L≤16 ±0.2					
			16<L≤63 ±0.3		ANGLE: ±1°	DATE: 2008/07/14	REV: A0	
 建信電子制品有限公司 GEMSTONE ELECTRONIC PRODUCTS CO.,LTD. ADD: 廣東省東莞市石排鎮石崇大道 TEL: (0769) 86514918, 86514919 FAX: 86514878			UNIT: MM	SCALE: 2/1	CHECK: XU ZHAN		APPROVED:	
			DRAWN: LI WEI					
			BEFORE REV.			AFTER REV.		