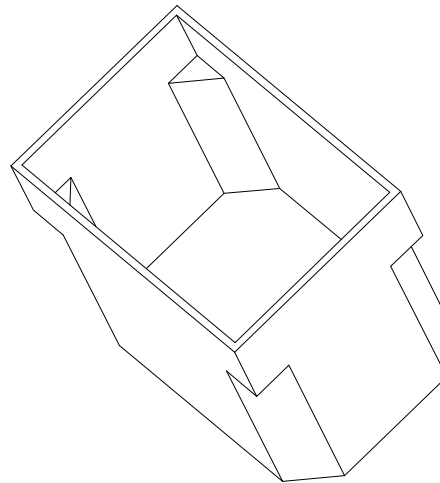
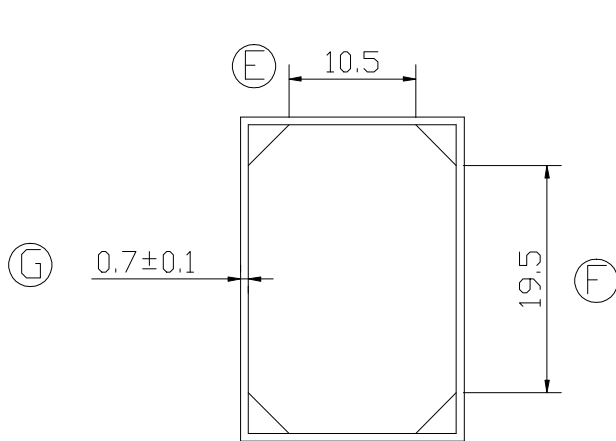
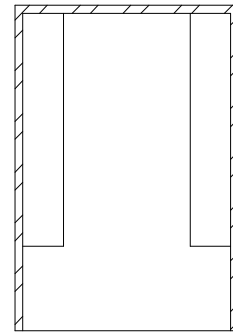
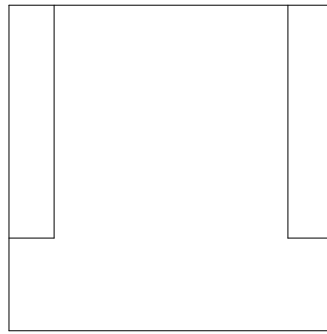
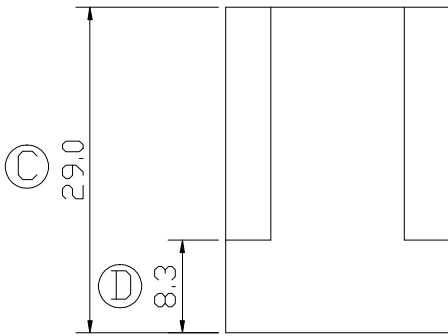
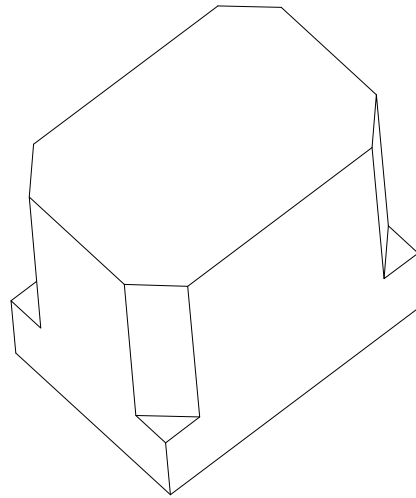
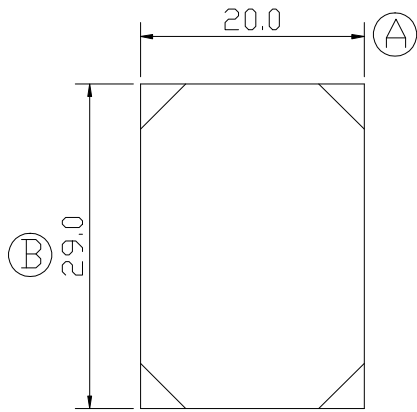



Build up your trust



TITLE:	CASE	TOLERANCES		BOBBIN MATERIAL:		UL REC.	
DRAWING NO:	GS-C007	0<L≤4 ±0.1	PIN PITCH ±0.2	PHENOLIC (PET)		UL 94V-0	
 建信電子制品有限公司 GEMSTONE ELECTRONIC PRODUCTS CO., LTD.		4<L≤16 ±0.2		PIN MATERIAL:		PIN TENSION LOAD:	
		16<L≤63 ±0.3	UNIT:	SCALE:	ANGLE:	DATE:	REV:
		MM	1/1	±1°	2004/8/25	A1	
ADD: 廣東省東莞市石排鎮石崇大道		DRAWN:		CHECK:		APPROVED:	
TEL: (0769) 86514918, 86514919 FAX: 86514878		XU ZHAN		DAVID			

REV.	PORTION.	BEFORE REV.	AFTER REV.