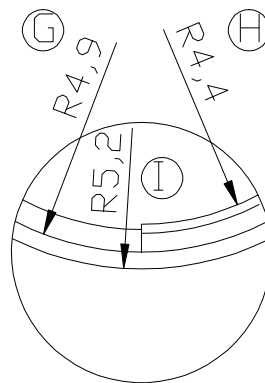
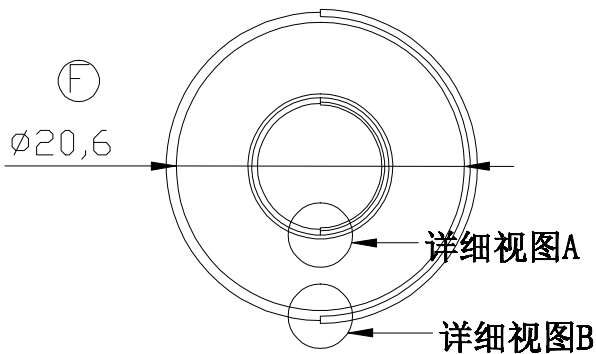
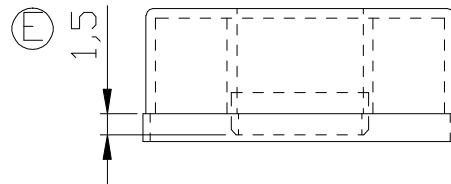
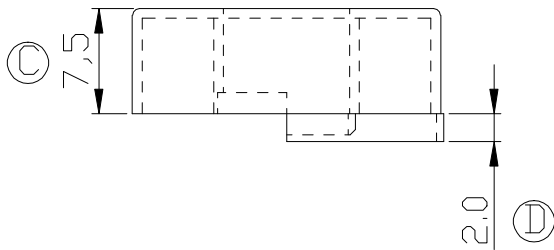
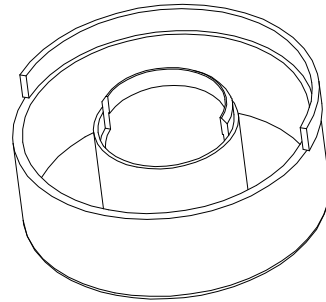
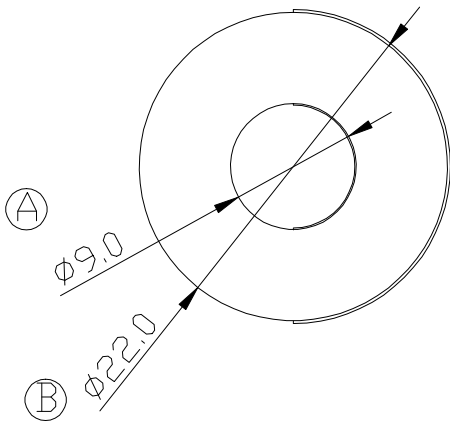
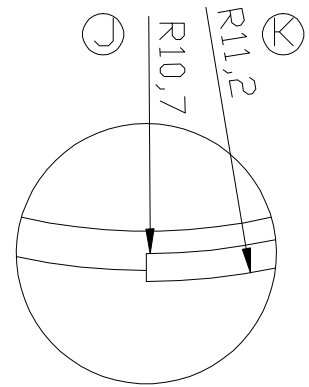



Build up your trust



详细视图A 4:1



详细视图B 4:1

TITLE:	CASE	TOLERANCES		BOBBIN MATERIAL:		UL REC.	
DRAWING NO:	GS-C008	0$L \le 4$ ±0.1	PIN PITCH ±0.2	PLASTIC PBT		UL 94V-0	
 建信电子制品有限公司 GEMSTONE ELECTRONIC PRODUCTS CO., LTD.		4$L \le 16$ ±0.2		PIN MATERIAL:		PIN TENSION LOAD:	
		16$L \le 63$ ±0.3		ANGLE:		DATE:	REV:
ADD: 广东省东莞市石排镇石崇大道 TEL: (0769) 86514918, 86514919 FAX: 86514878		UNIT:	SCALE:	±1°		2004/9/20	A1
		MM	2/1	CHECK:		APPROVED:	
		DRAWN:		XU ZHAN			

REV.	PORTION.	BEFORE REV.	AFTER REV.