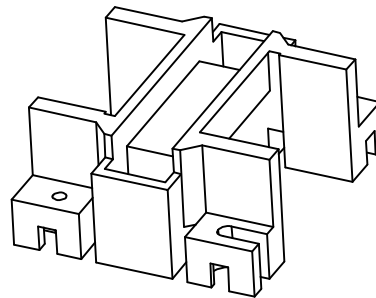
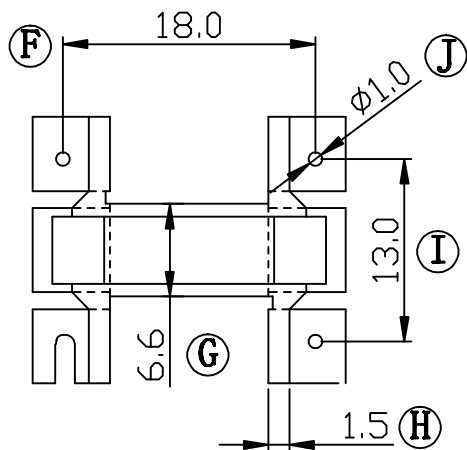
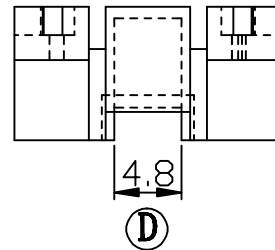
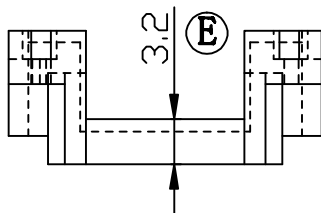
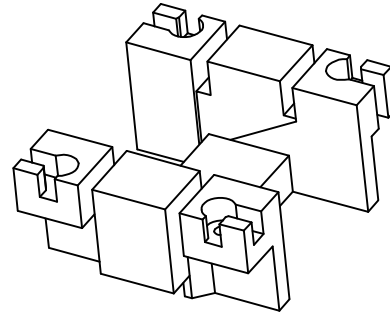
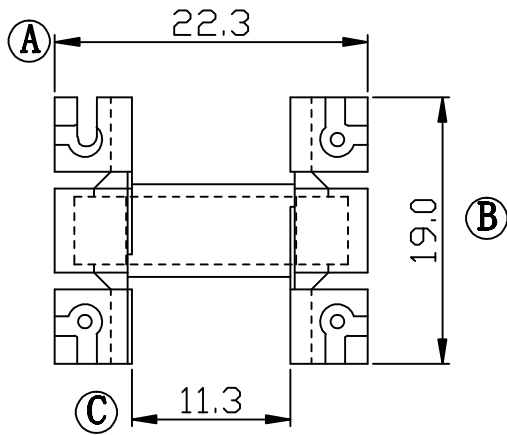


Build up your trust



TITLE: CASE 下蓋		TOLERANCES		BOBBIN MATERIAL: PLASTIC PA66		UL REC: UL 94V-2		
DRAWING NO: GS-C009		0<L≤4 ±0.1	PIN PITCH ±0.2	PIN MATERIAL:		PIN TENSION LOAD:		
		4<L≤16 ±0.2						
 建信電子制品有限公司 GEMSTONE ELECTRONIC PRODUCTS CO., LTD. ADD: 廣東省東莞市石排鎮石崇大道 TEL: (0769)6514918, 6514919 FAX:6514878		16<L≤63 ±0.3		UNIT: MM	SCALE: 2/1	ANGLE: ±1°	DATE: 2005/3/29	
				DRAWN: XU ZHAN		CHECK: DAVID		REV: A0
						APPROVED:		

REV.	PORTION.	BEFORE REV.	AFTER REV.