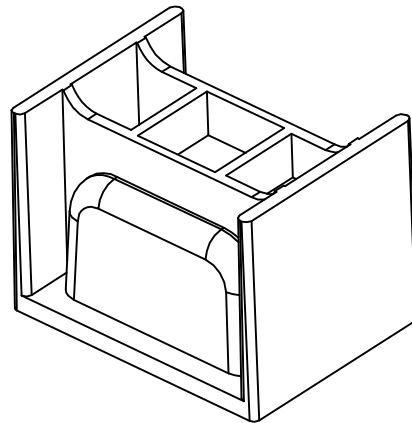
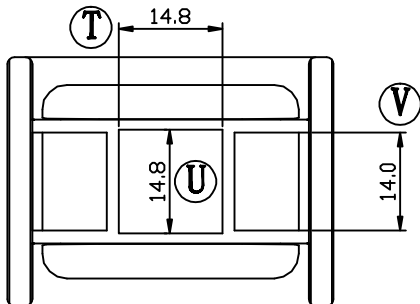
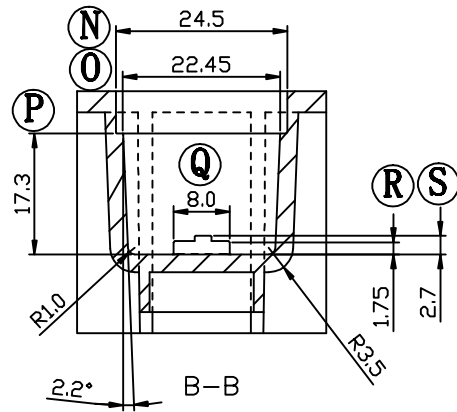
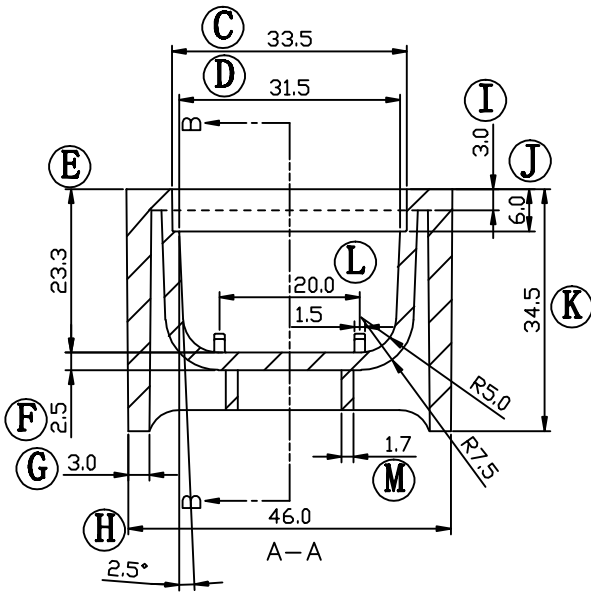
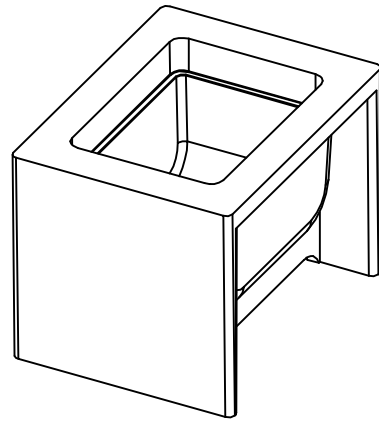
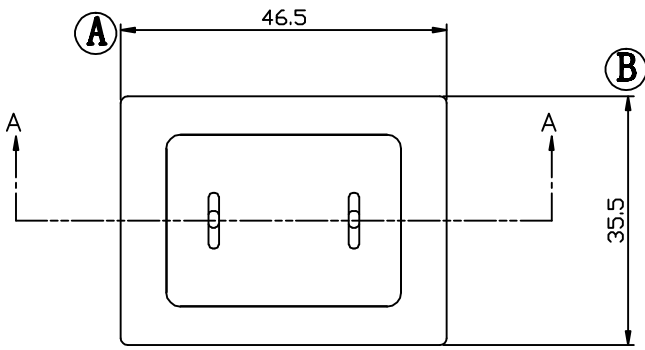



Build up your trust



TITLE: ETD19 COVER		TOLERANCES		BOBBIN MATERIAL: NYLON 66 H360		UL REC: UL 94V-2	
DRAWING NO: GS-C010		0<L≤4 ±0.1	PIN FIT	PIN MATERIAL:		PIN TENSION LOAD:	
		4<L≤16 ±0.2					
		16<L≤63 ±0.3	±0.2				
 <b>建信電子制品有限公司</b> GEMSTONE ELECTRONIC PRODUCTS CO., LTD. ADD: 廣東省東莞市石排鎮石崇大道 TEL: (0769)86514918, 86514919 FAX:86514878		UNIT: MM	SCALE: 1/1	ANGLE: ±1°	DATE: 2005/5/30	REV: A0	
		DRAWN: XU ZHAN		CHECK: DAVID		APPROVED:	

REV.	PORTION.	BEFORE REV.	AFTER REV.