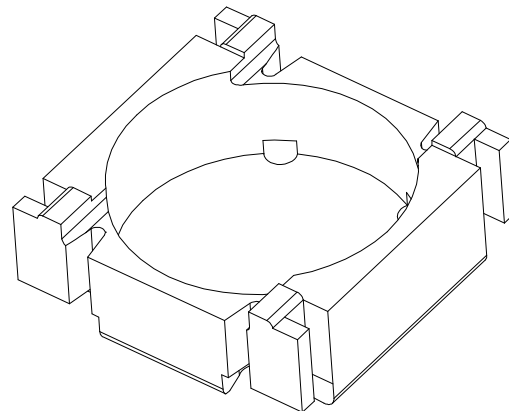
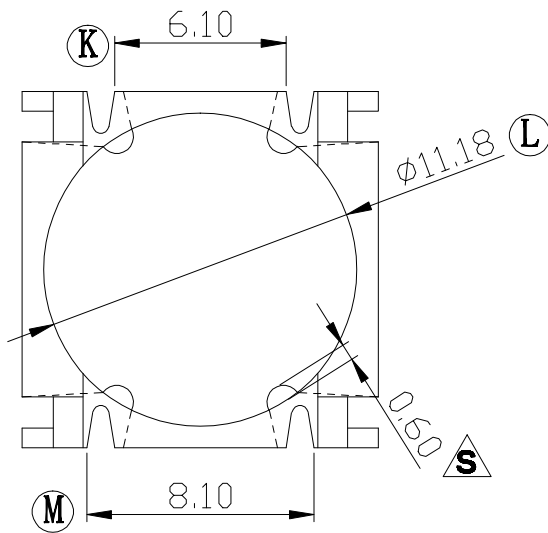
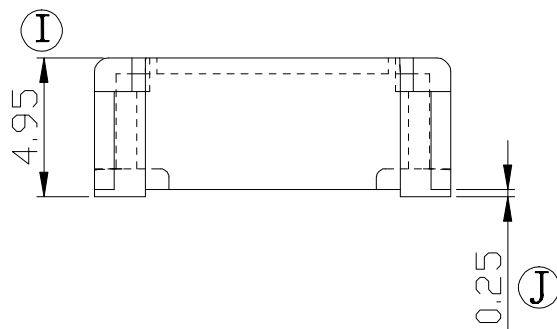
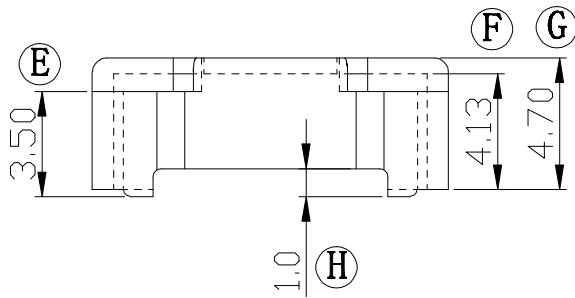
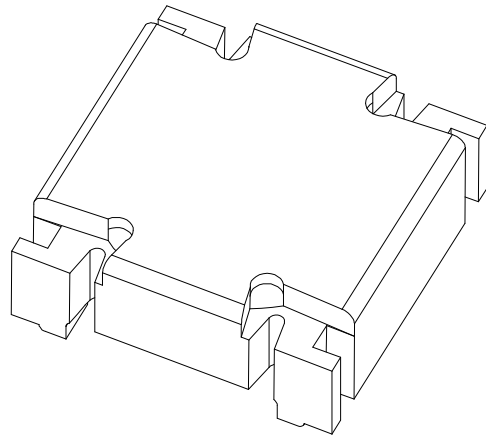
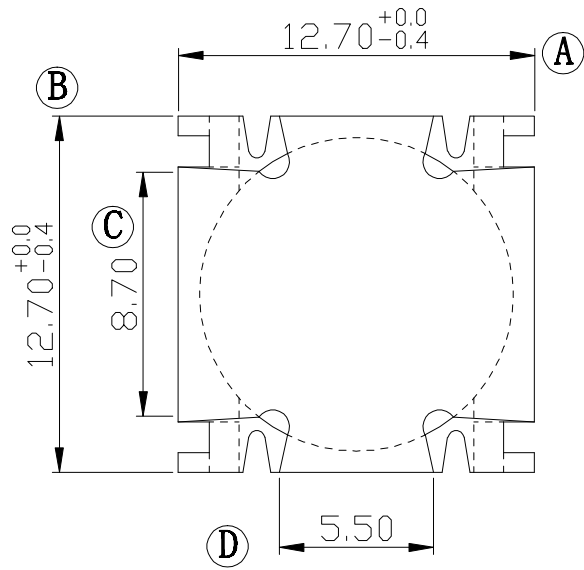



Build up your trust



TITLE:	CASE	TOLERANCES		BOBBIN MATERIAL:	UL REC.
DRAWING NO:	GS-C011	0<L≤4 ±0.1	PIN PITCH ±0.2	PPS R7 (BK)	UL 94 V-0
 建信電子制品有限公司 GEMSTONE ELECTRONIC PRODUCTS CO., LTD. ADD: 廣東省東莞市石排鎮石崇大道 TEL: (0769) 86514918, 86514919 FAX: 86514878		4<L≤16 ±0.2		PIN MATERIAL:	PIN TENSION LOAD:
		16<L≤63 ±0.3		ANGLE:	REV:
		UNIT: MM	SCALE: 4/1	DATE: 2012/07/25	A1
		DRAWN: DMQ	CHECK: XU ZHAN	APPROVED:	

REV.	PORTION.	BEFORE REV.	AFTER REV.
A1	△ 尺寸由原來的0.30MM更改為0.60MM		