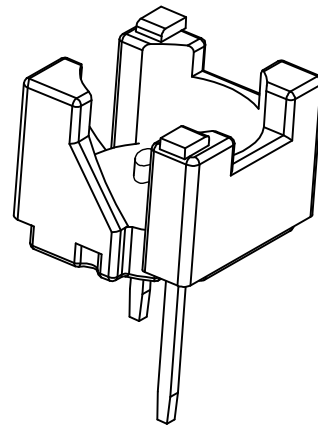
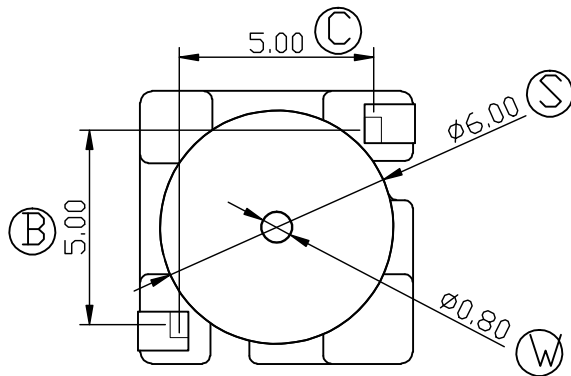
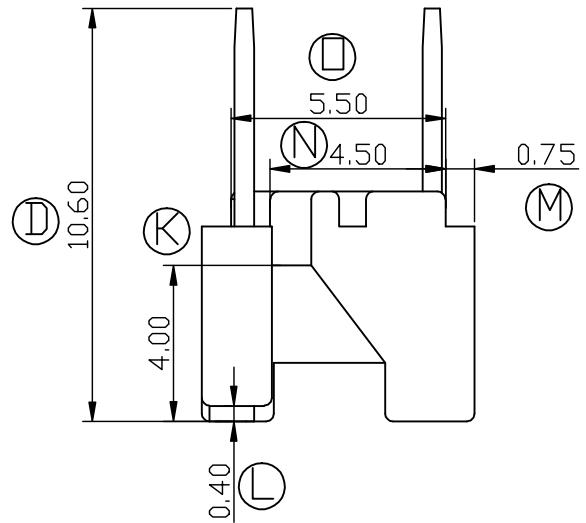
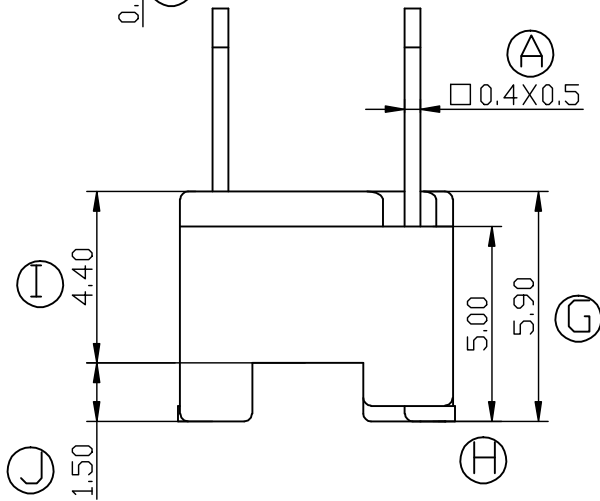
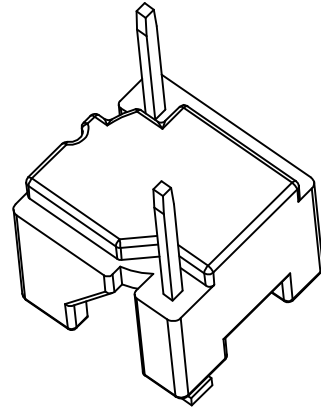
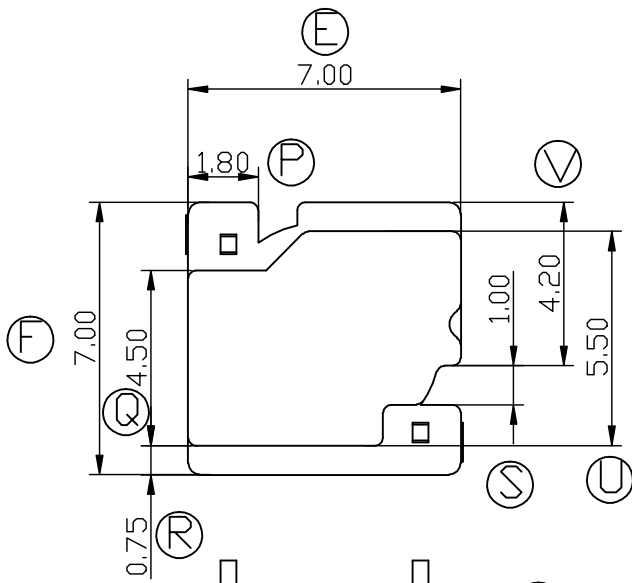


Build up your trust



TITLE: CASE		TOLERANCES		BOBBIN MATERIAL: PM9630		UL REC: UL 94V-0	
DRAWING NO: GS-C012		0 <math>L \le 4</math> ±0.1	PIN PITCH	PIN MATERIAL: PHOSPHOR BRONZE		PIN TENSION LOAD: 1.0KG MIN	
 <b>建信電子制品有限公司</b> GEMSTONE ELECTRONIC PRODUCTS CO., LTD. ADD: 廣東省東莞市石排鎮石崇大道 TEL: (0769)86514918, 86514919 FAX: 86514878		4 <math>L \le 16</math> ±0.2					
		16 <math>L \le 63</math> ±0.3					
UNIT: MM		SCALE: 5/1	ANGLE: ±1°	DATE: 2006/03/24	REV: A1		
DRAWN: HZP			CHECK: XU ZHAN		APPROVED:		

REV.	PORTION.	BEFORE REV.	AFTER REV.