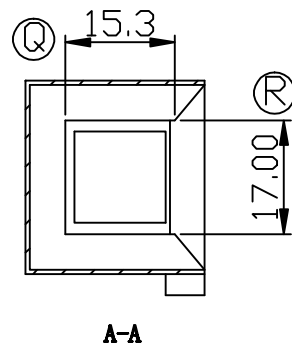
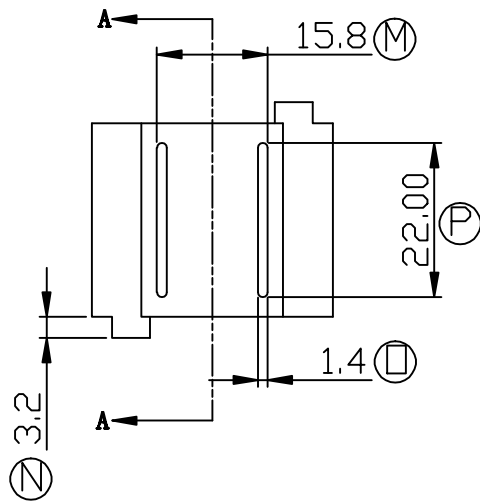
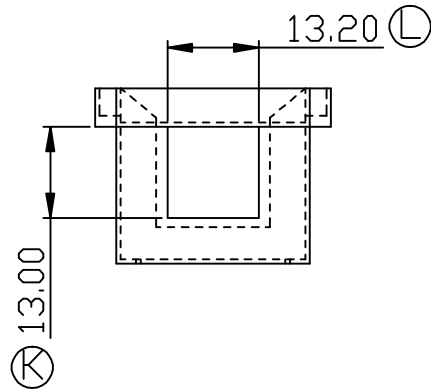
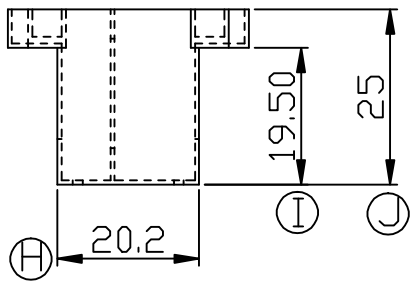
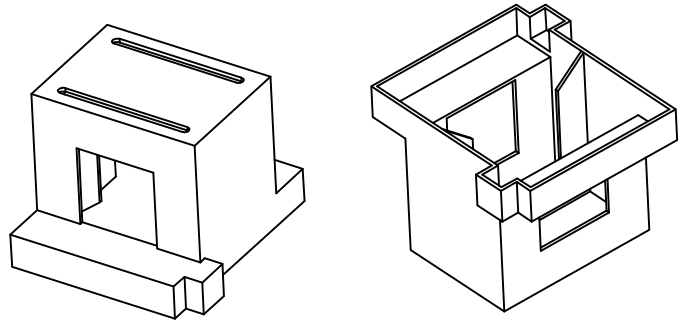
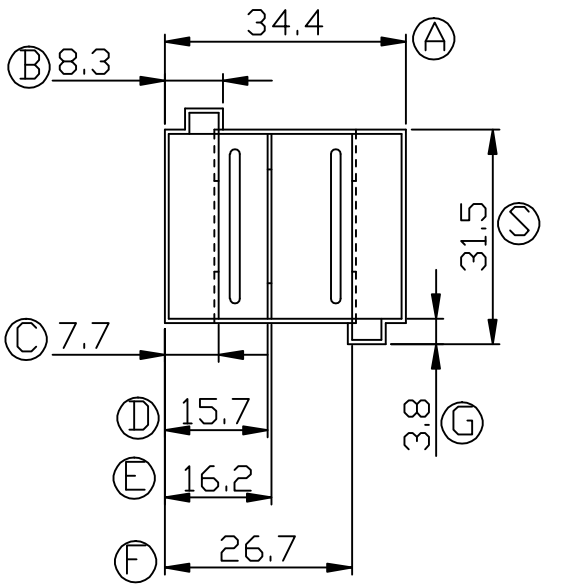


Build up your trust



TITLE: EI-41 COVER		TOLERANCES		BOBBIN MATERIAL:		UL REC:	
DRAWING NO: GS-C015		0<L≦4 ±0.1		PLASTIC 70G33L		UL 94HB	
 建信電子制品有限公司 GEMSTONE ELECTRONIC PRODUCTS CO., LTD. ADD: 廣東省東莞市石排鎮石崇大道 TEL: (0769)86514918, 86514919 FAX:86514878		4<L≦16 ±0.2		PIN MATERIAL:		PIN TENSION LOAD:	
		16<L≦63 ±0.3		PIN PITCH ±0.2			
UNIT: MM		SCALE: 1/1		ANGLE: ±1°		DATE: 2006/2/14	
DRAWN: XU ZHAN		CHECK: DAVID		REV: A1		APPROVED:	

REV.	PORTION.	BEFORE REV.	AFTER REV.